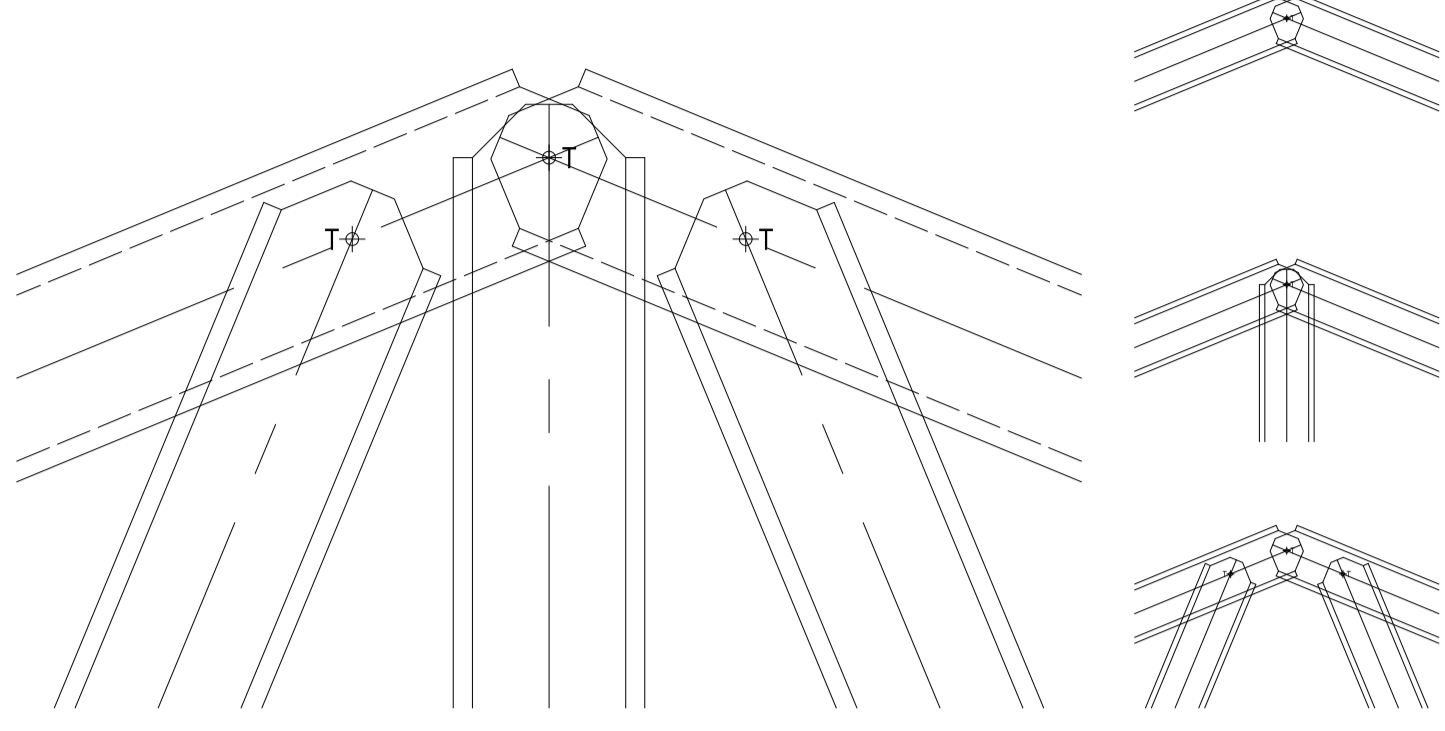


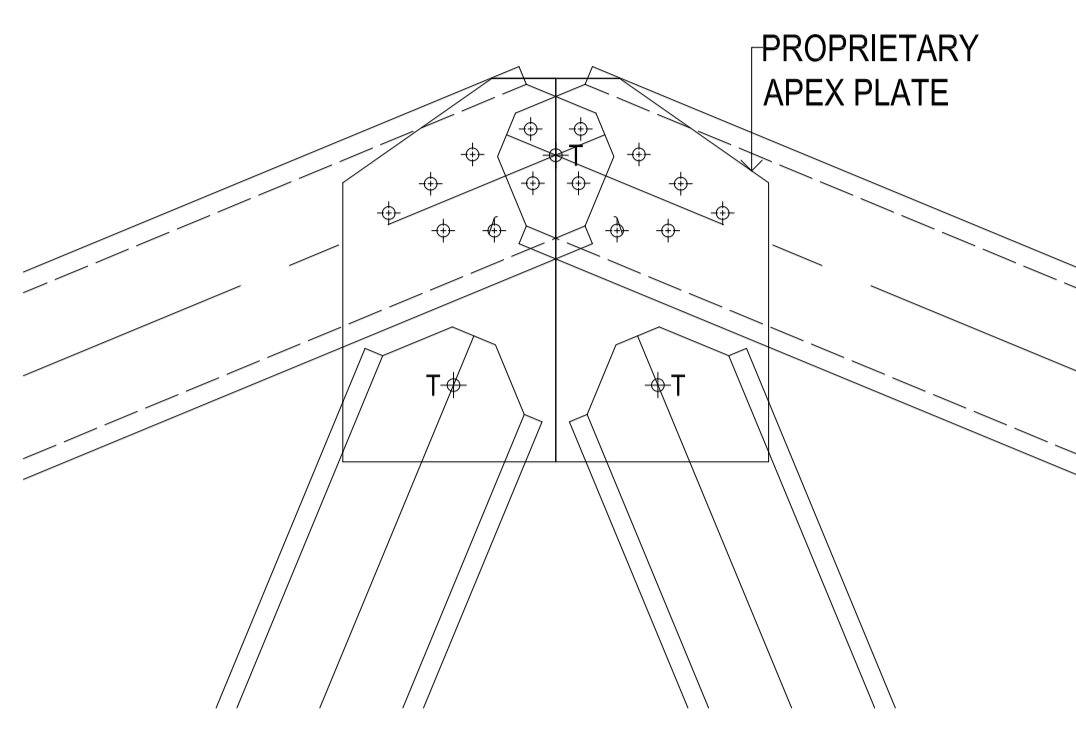
ENDURO FRAME[®]

SC-APEX-A-XX-XX-X



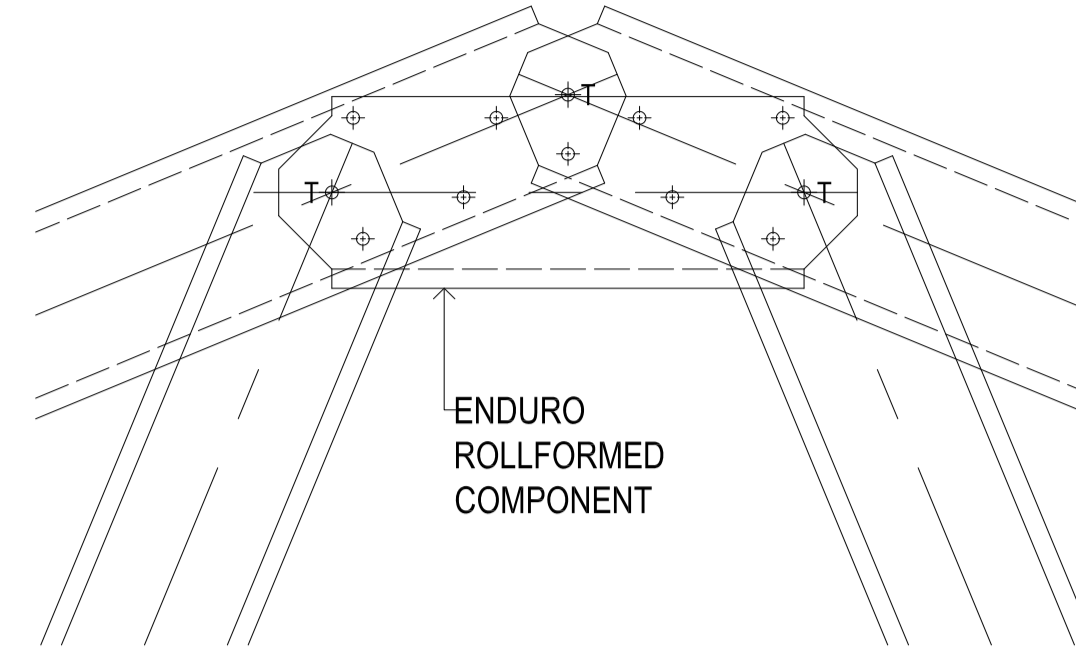
TRUSSTITE ONLY

SC-APEX-C-XX



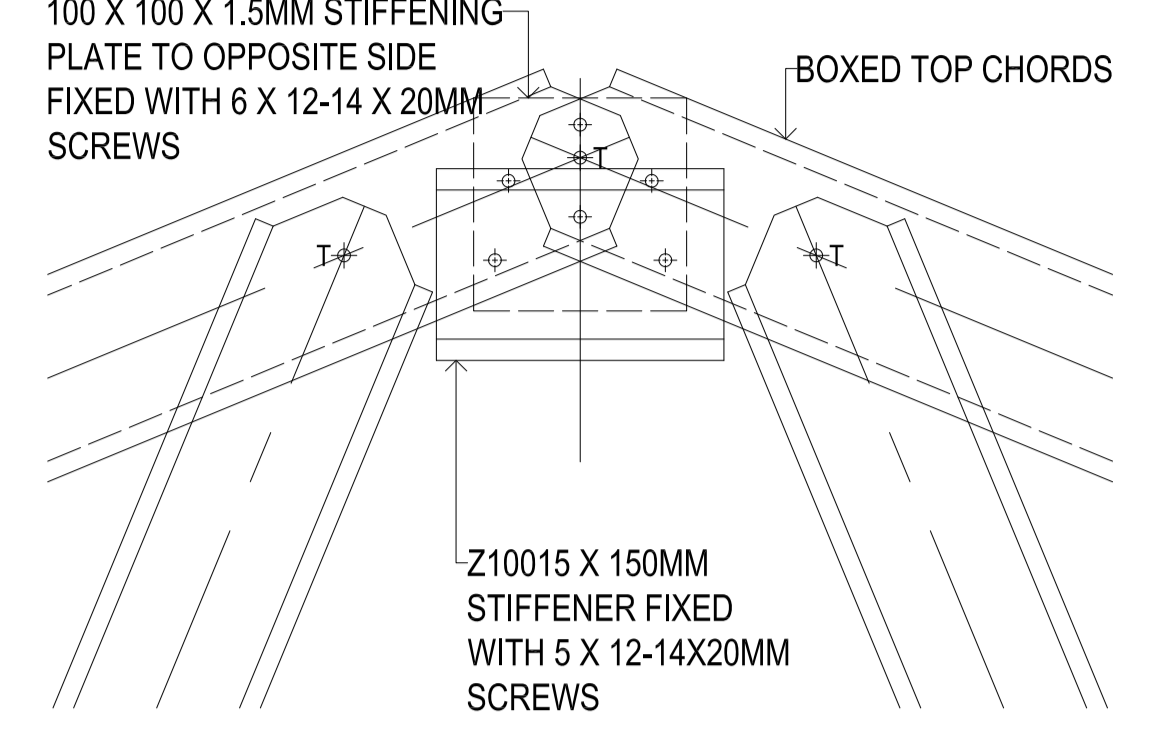
3 X TRUSSTITE + UP TO 14 X 12-14 X 20MM HEX SCREWS

SC-APEX-E1-XX-XX-XX (UNBOXED TOP CHORDS)
SC-APEX-E2-XX-XX-XX (BOXED TOP CHORDS)



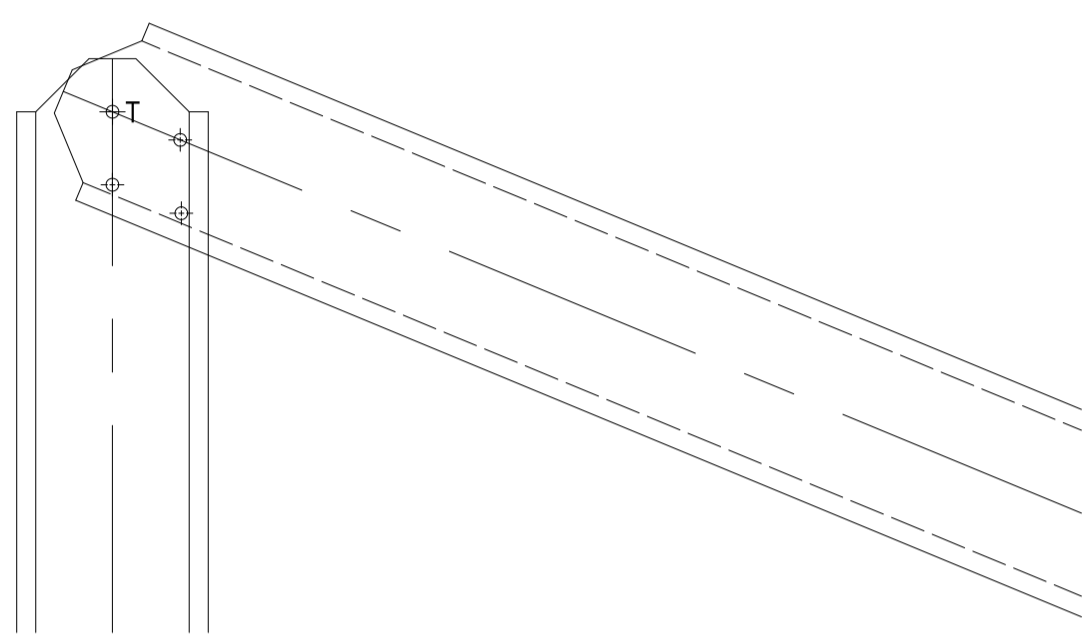
3 X TRUSSTITE + UP TO 9 X 12-14 X 20MM HEX SCREWS

SC-APEX-F-XX-XX



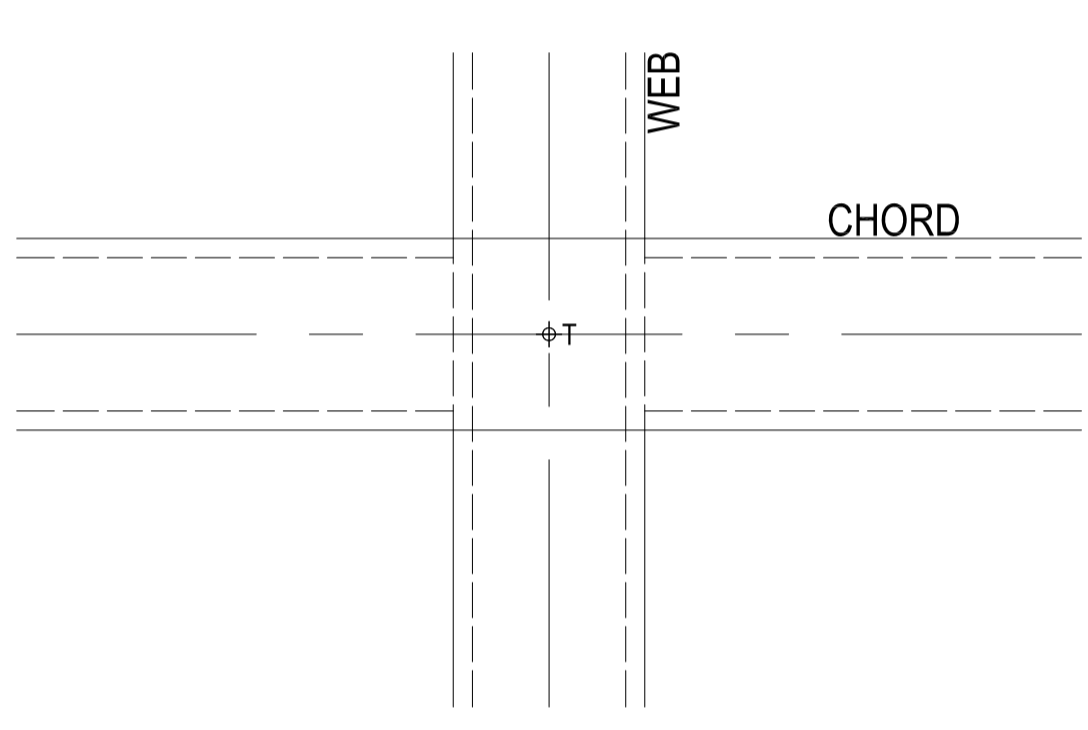
3 X TRUSSTITE + UP TO 6 X 12-14 X 20MM HEX SCREWS TO Z

SC APEX-HS-XX-XX-X (NON-FLUSH CONN.)
SC APEX-HS-F-XX-XX-X (FLUSH CONN.)



1 X TRUSSTITE + UP TO 3 X 12-14 X 20MM HEX SCREWS

SC-CROSS-XX-XX-X



1 X TRUSSTITE

SCREW LOCATION RULES - 75 & 90MM



SCREWS TO BE MINIMUM 10MM FROM EDGES AND 17MM APART MEASURED FROM THE CENTRE POINT

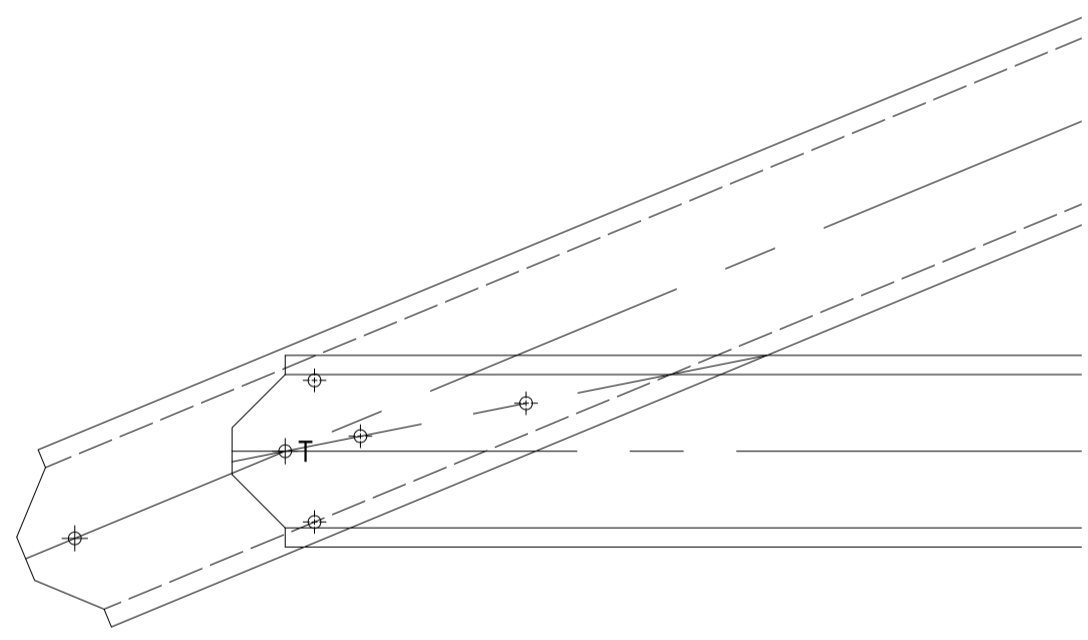
CONNECTION IDENTIFICATION:

TRUSS SYSTEM-CONNECTION TYPE-VARIANT-CHANNEL DEPTH-CHANNEL GAUGE-SCREW NO.
EG: SC-HEEL-A-90-10-6

PLACEMENT RULES FOR MULTIPLE STIFFENING SCREWS:

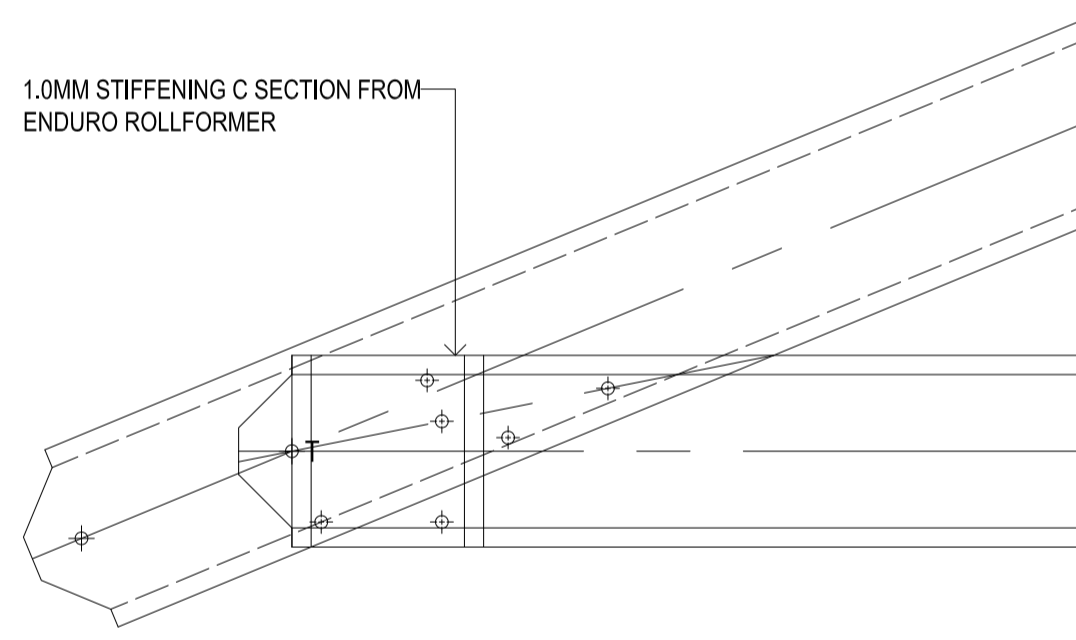
1. GENERAL - FOLLOW PLACEMENT RULES SHOWN IN SCREW LOCATION RULES
2. APEX - PLACE SYMMETRICALLY ON EACH SIDE OF APEX STIFFENING PLATE
3. DISTANCE FROM TRUSSTITE - PLACE SCREWS FURTHEST AWAY FROM THE TRUSSTITE AND MOVE IN TOWARD TRUSSTITE AS NUMBER OF SCREWS INCREASES

SC-HEEL-A-XX-XX-X



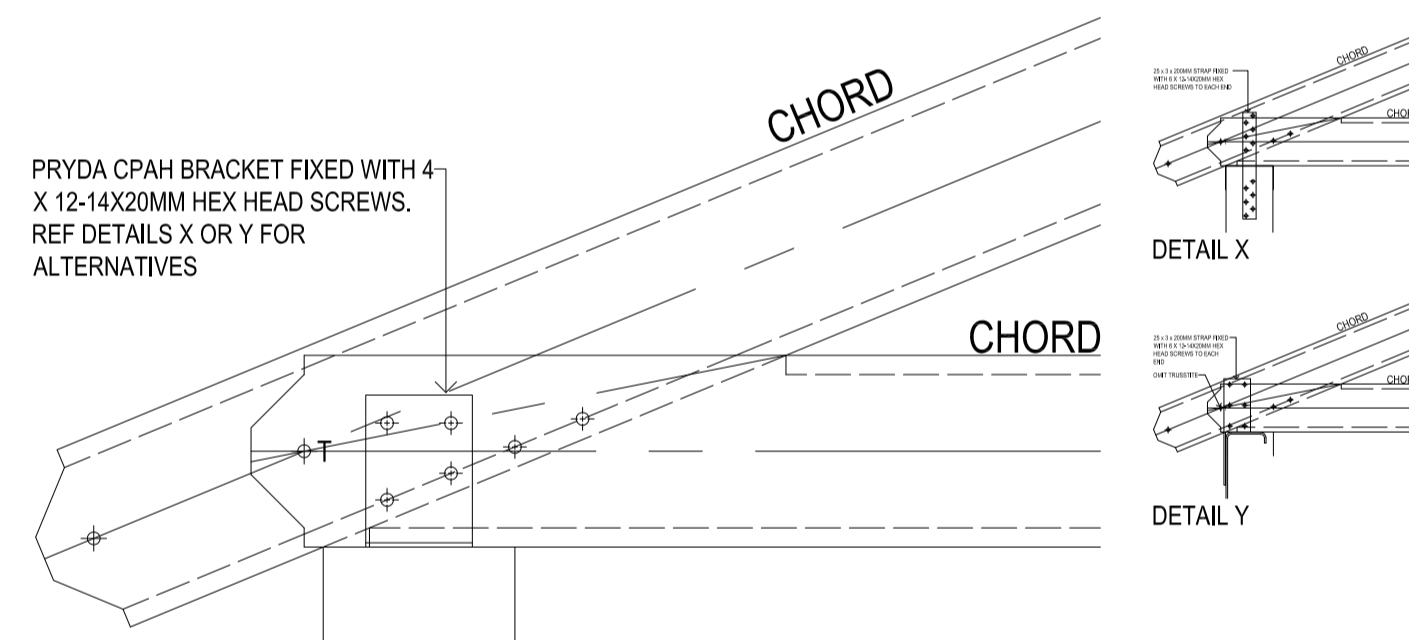
1 X TRUSSTITE + UP TO 5 X 12-14 X 20MM HEX SCREW

SC-HEEL-B-XX-XX-X (VERTICAL STIFFENER)



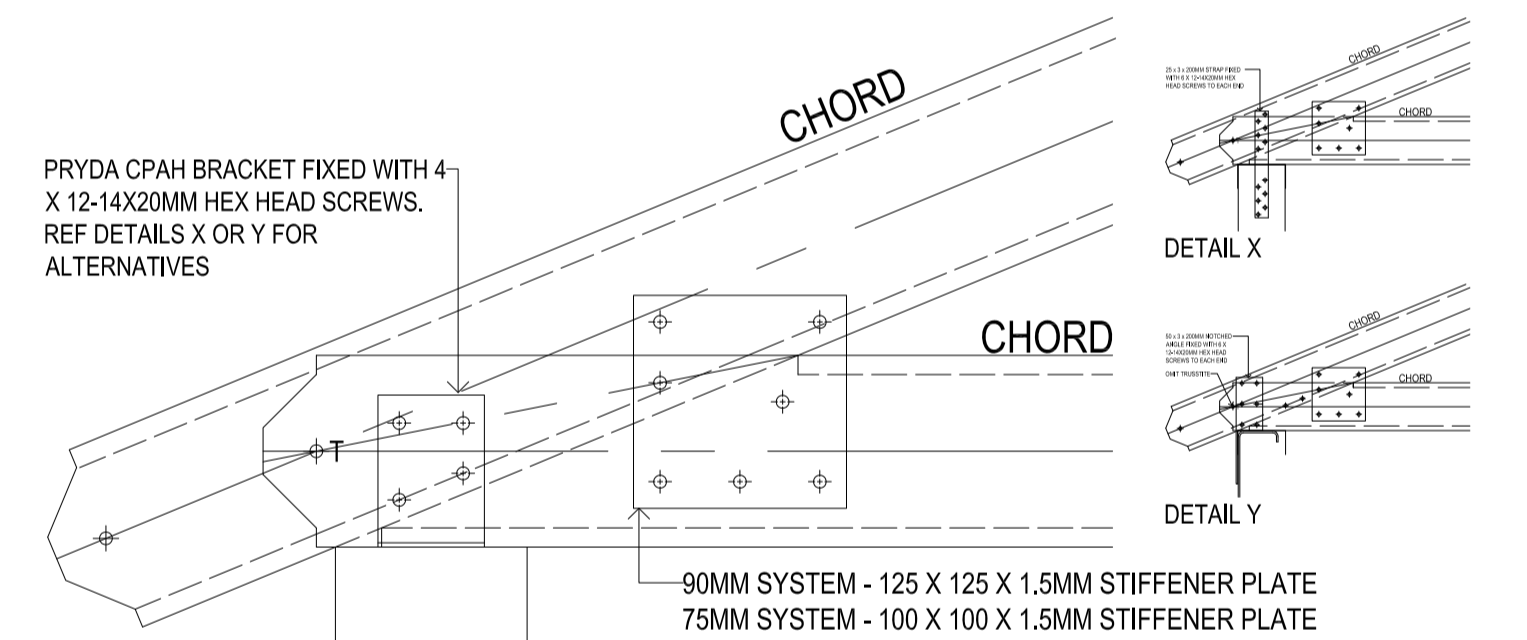
1 X TRUSSTITE + UP TO 6 X 12-14 X 20MM HEX SCREW

SC-HEEL-E1-XX-XX-XX (UNBOXED TOP CHORDS)
SC-HEEL-E2-XX-XX-XX (BOXED TOP CHORDS)



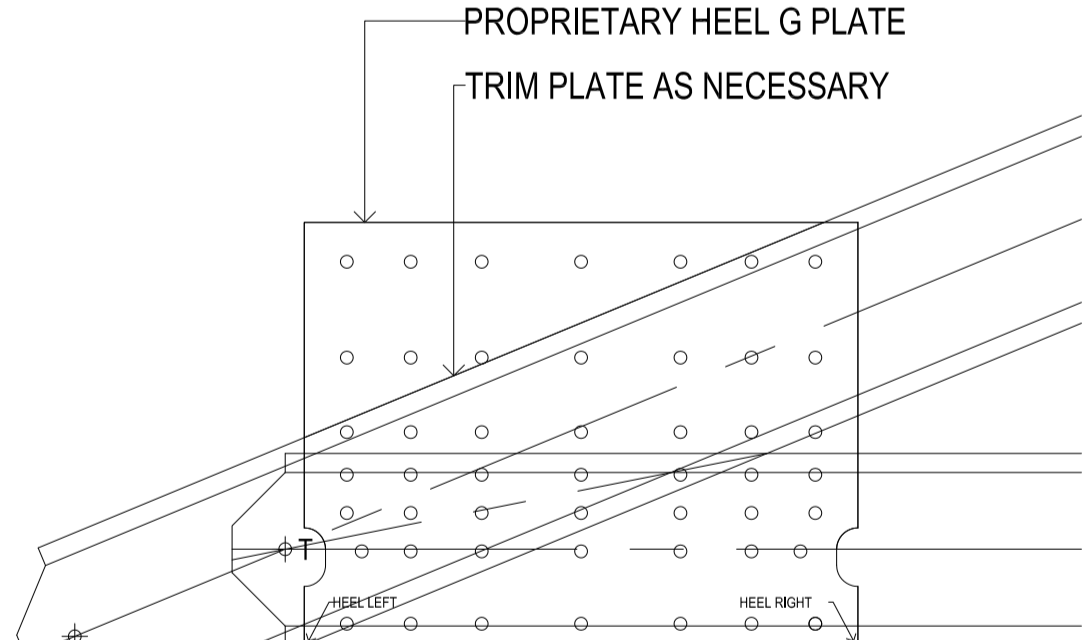
1 X TRUSSTITE + UP TO 6 X 12-14 X 20MM HEX SCREW

SC-HEEL-F1-XX-XX-XX (UNBOXED TOP CHORDS)
SC-HEEL-F2-XX-XX-XX (BOXED TOP CHORDS)



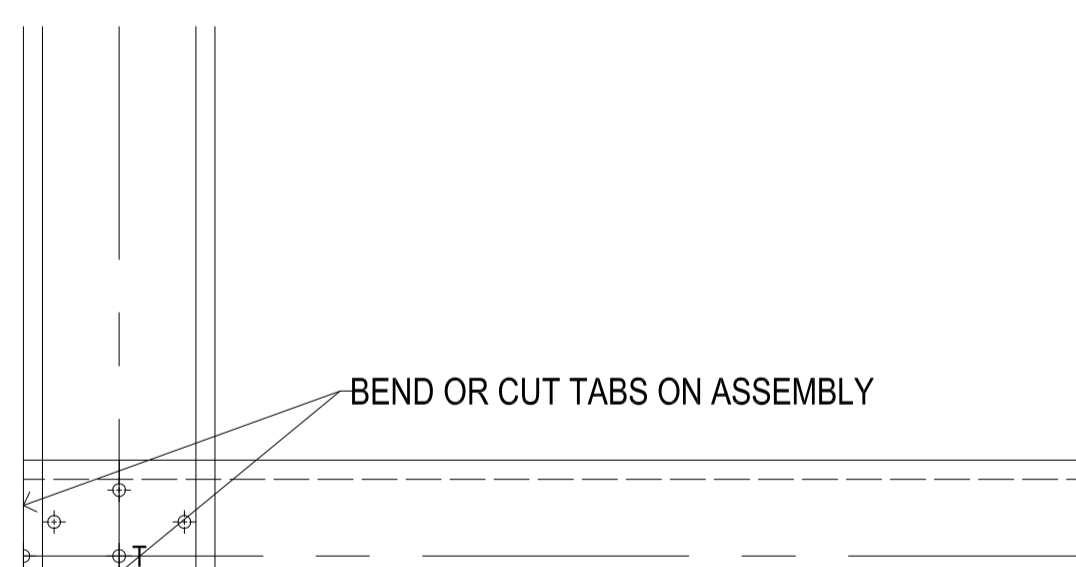
1 X TRUSSTITE + 11 X 12-14 X 20MM HEX SCREW

SC-HEEL-G-XX-XX-XX



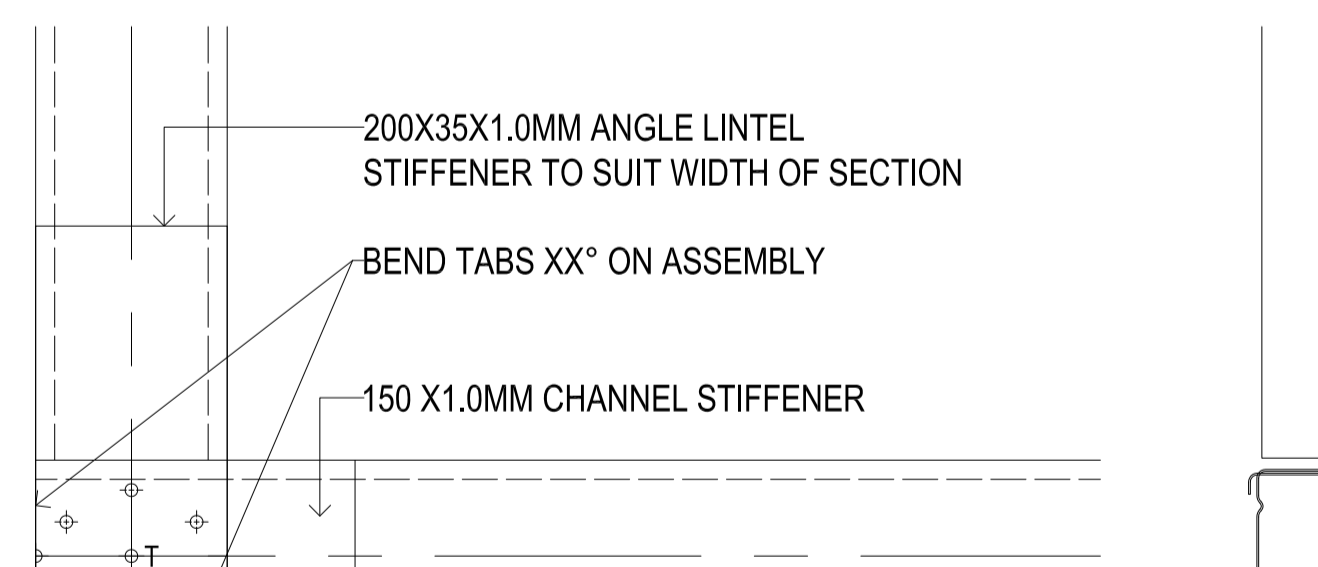
1 X TRUSSTITE + 9 OR 13 X 12-14 X 20MM HEX SCREW

SC-HEEL-HS-XX-XX-X (NON-FLUSH CONN.)
SC-HEEL-HS-F-XX-XX-X (FLUSH CONN.)



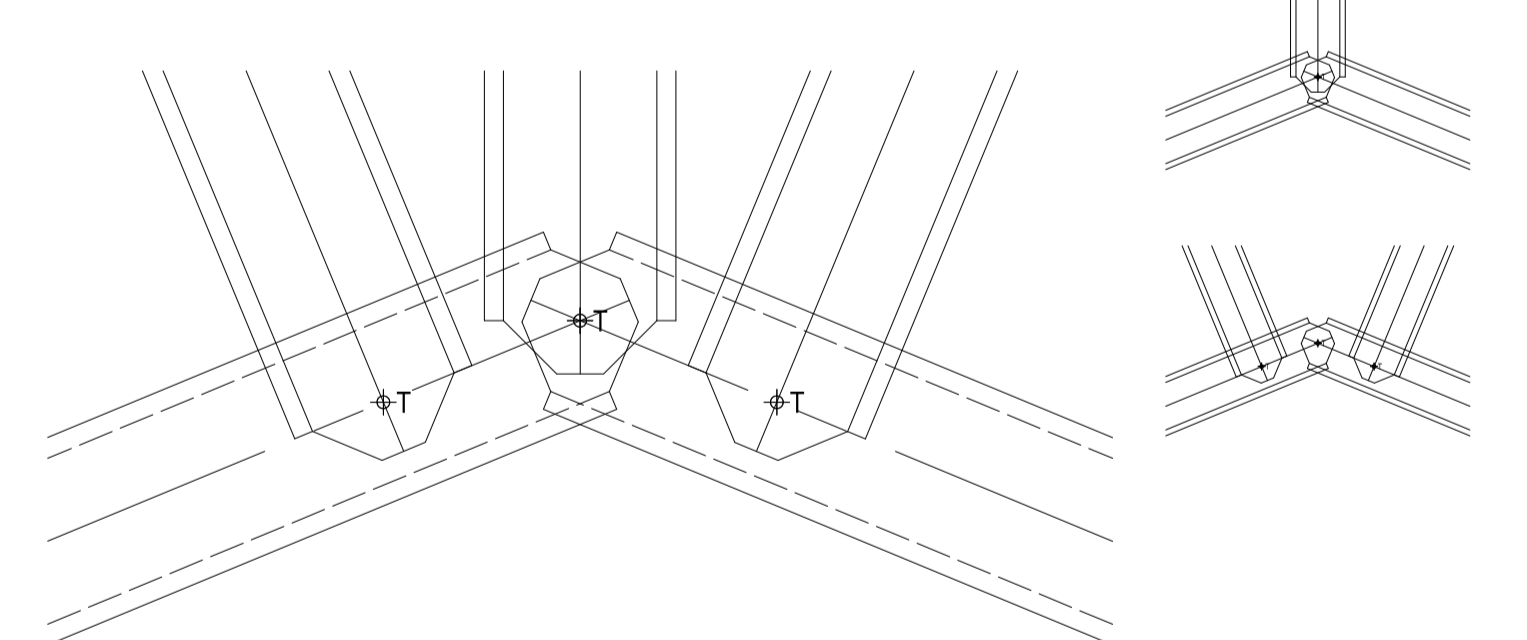
1 X TRUSSTITE + UP TO 4 X 12-14 X 20MM HEX SCREW

SC-HEEL-HSA-F-A-XX-XX-X



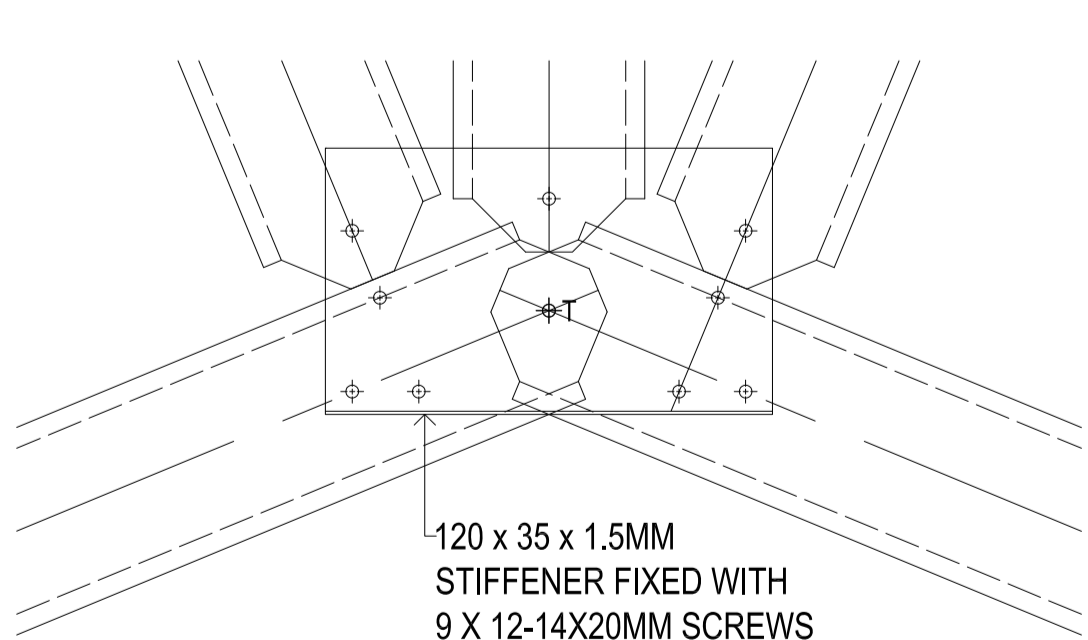
5 X 12-14 X 20 HEX SCREW + 4 X 12-14 X 20 HEX SCREW TO STIFFENER

SC-ELBOW-A-XX-XX-X



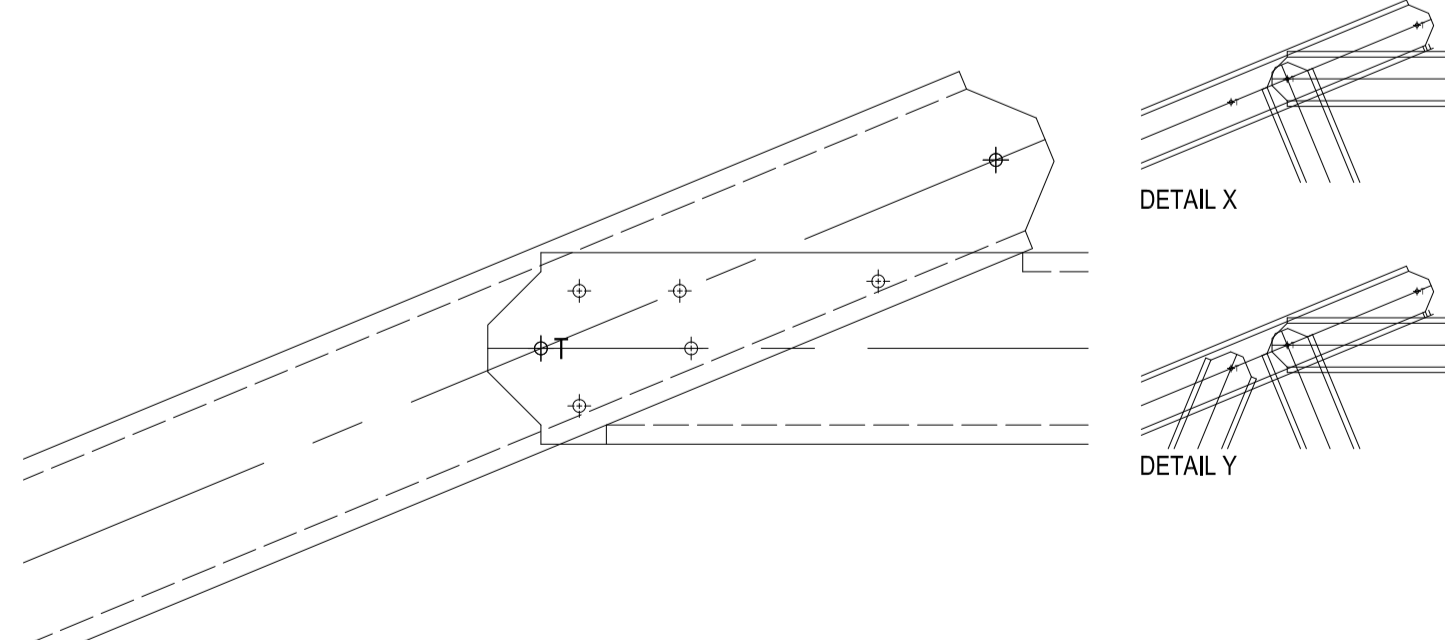
3 X TRUSSTITE

SC-ELBOW-C-XX-XX-X



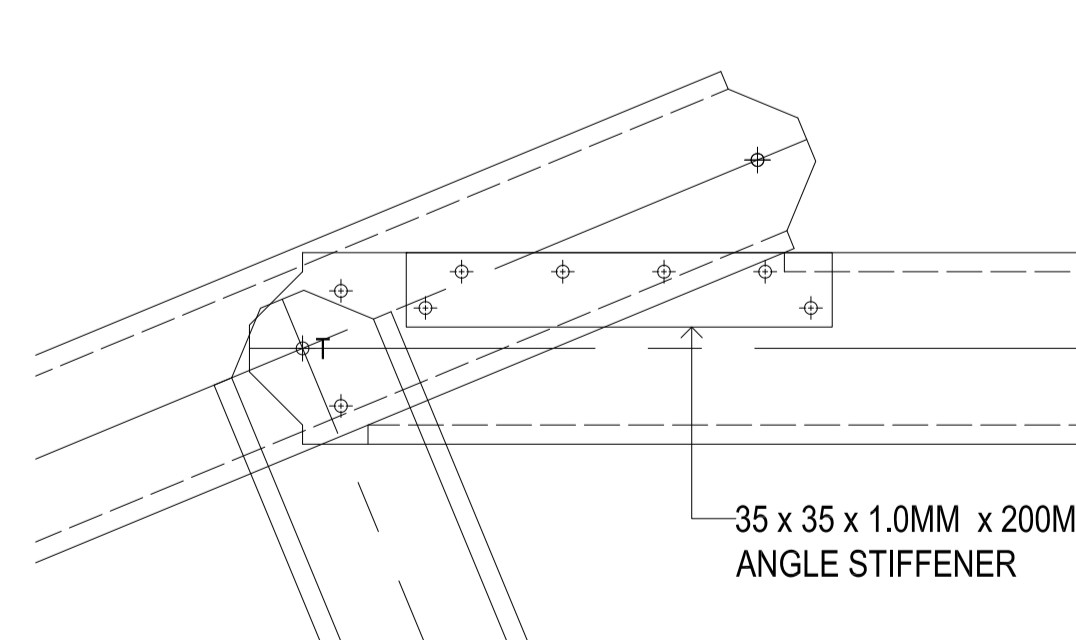
1 X TRUSSTITE + 9 X 12-14 X 20MM HEX SCREWS TO STIFFENER

SC-KNEE-A-XX-XX-X



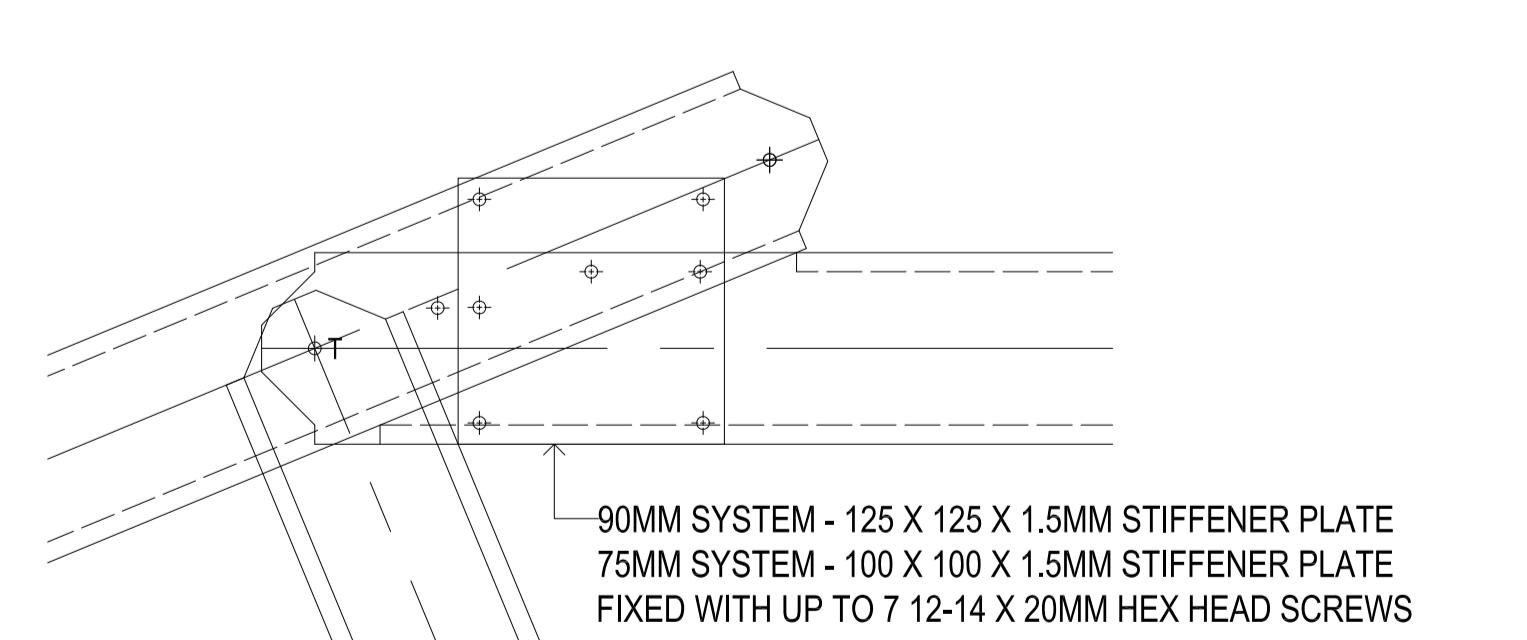
1 X TRUSSTITE + UP TO 5 X 12-14 X 20MM HEX SCREWS

SC-KNEE-C-XX-XX-X



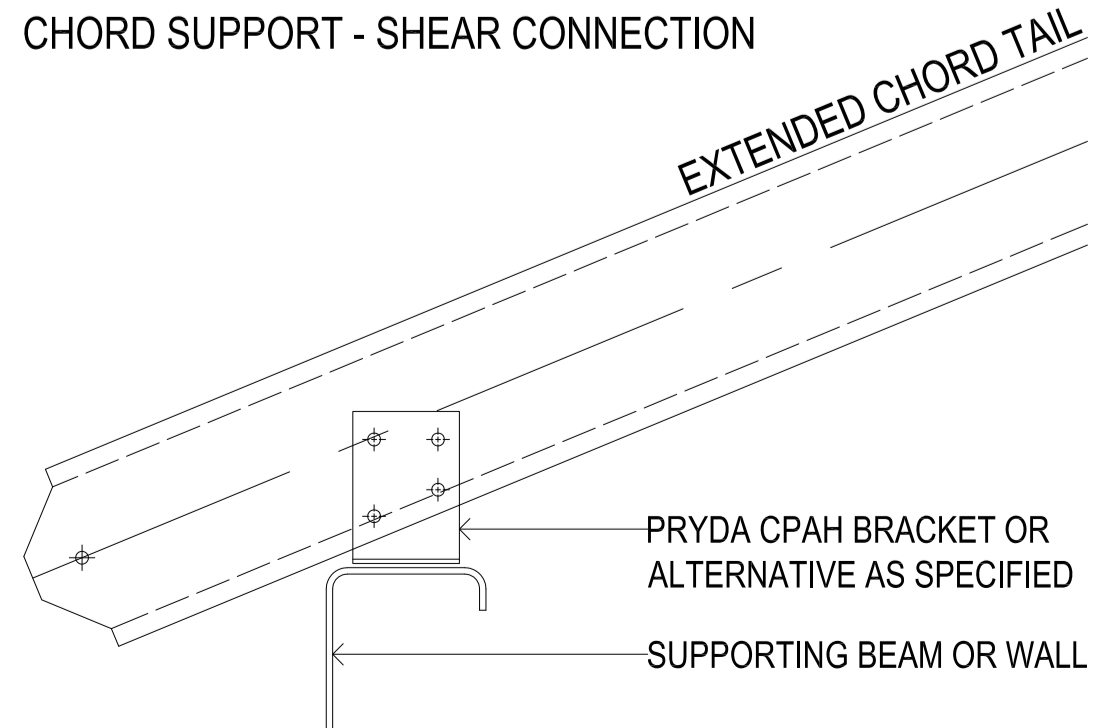
1 X TRUSSTITE + UP TO 7 X 12-14 X 20MM HEX SCREWS

SC-KNEE-E-XX-XX-X



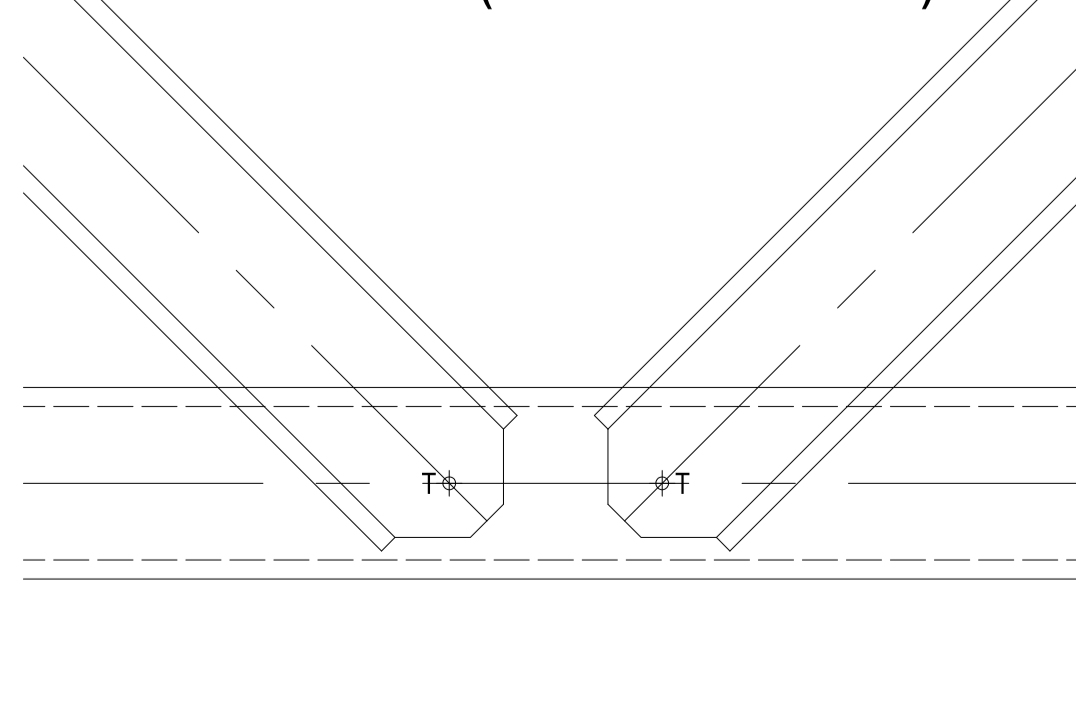
1 X TRUSSTITE + 8 X 12-14 X 20MM HEX SCREWS

SC-PROP-XX-XX-X



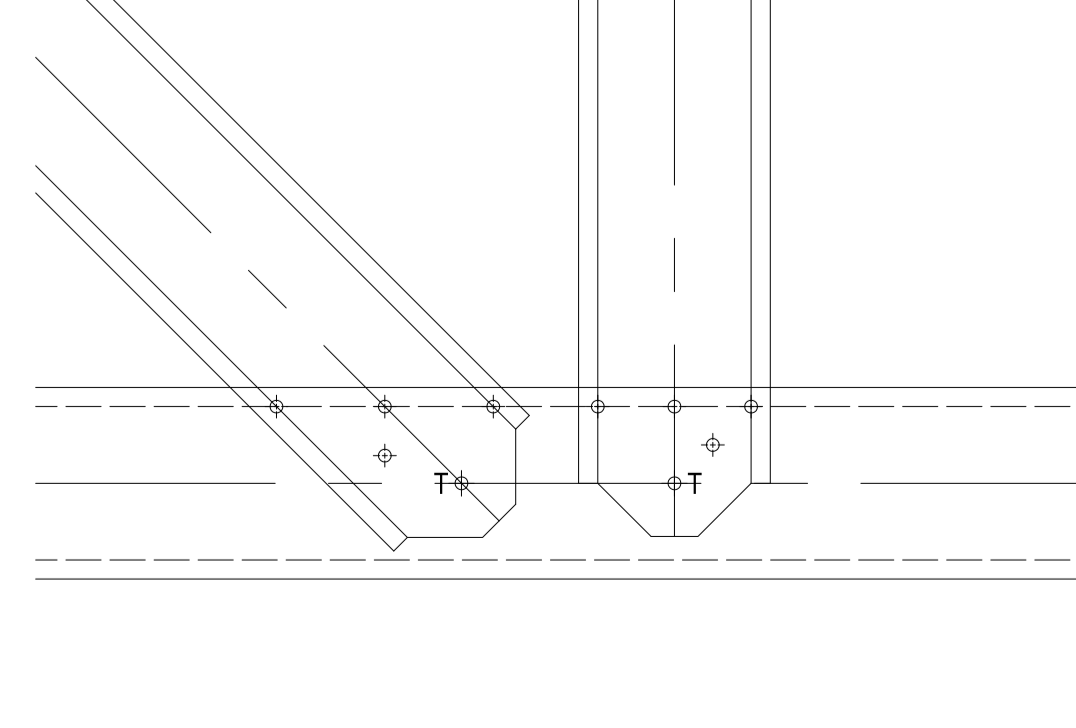
4 X 12-14X20 HEX SCREW CHORD TO SUPPORT (TYPICAL)

SC-SUP-XX-XX (UNSTIFFENED)



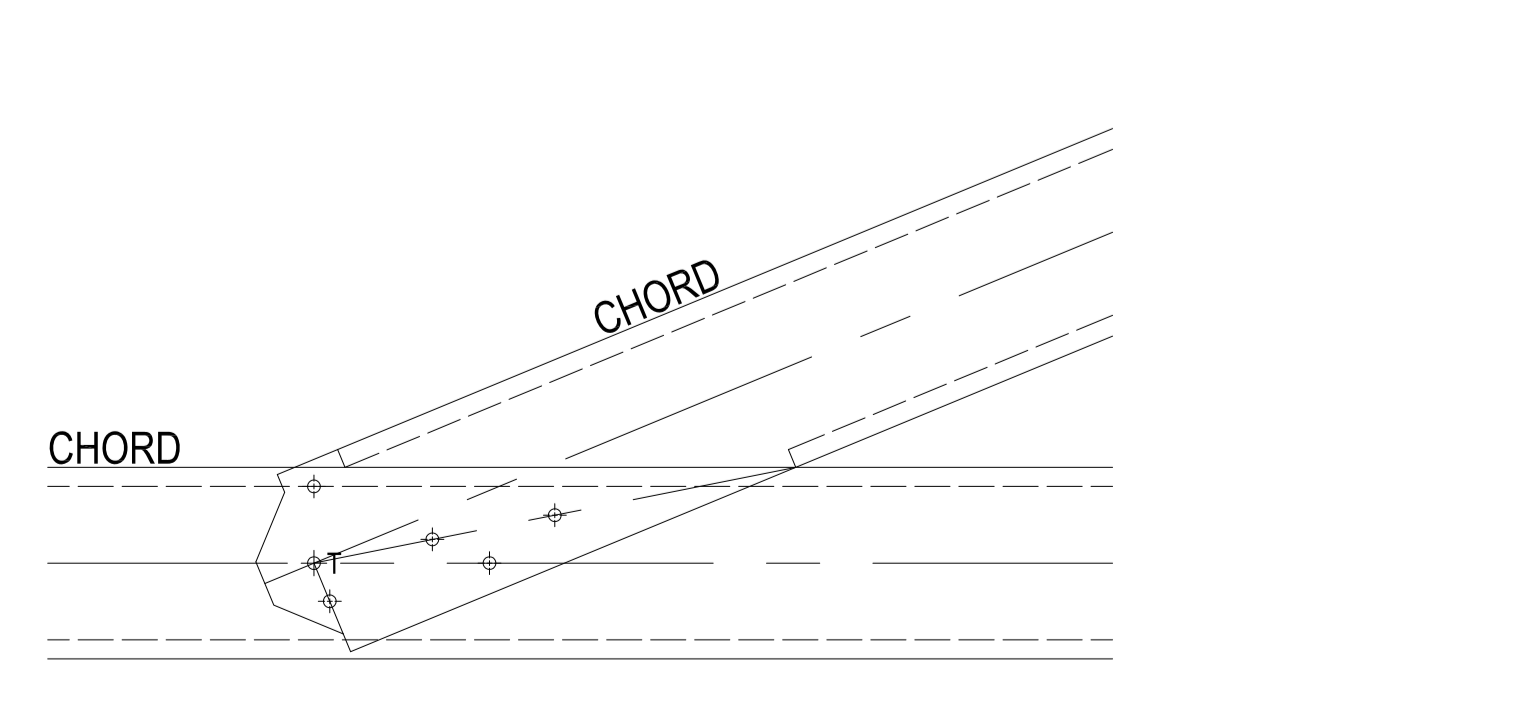
WEB FASTENERS TO SUIT WEB DESIGN

SC-WEB-CHORD-X



1 X TRUSSTITE + UP TO 4 X 12-14 X 20 HEX SCREW (16MM MIN EDGE DISTANCE)

SC-CHORDPT-A-XX-XX-X



1 X TRUSSTITE + UP TO 5 X 12-14 X 20MM HEX SCREWS