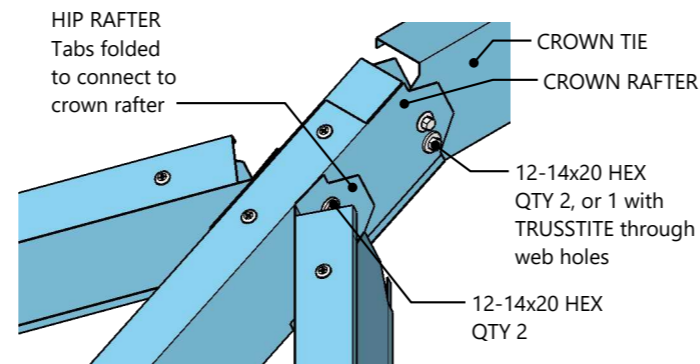
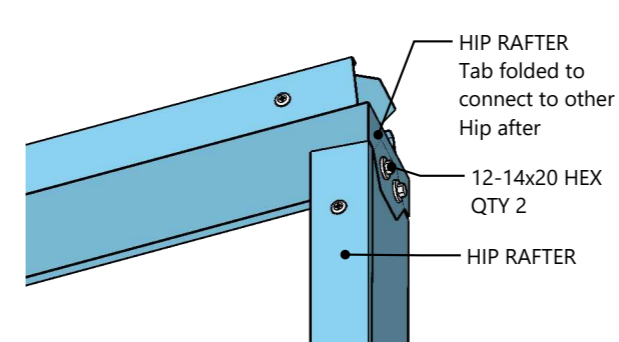


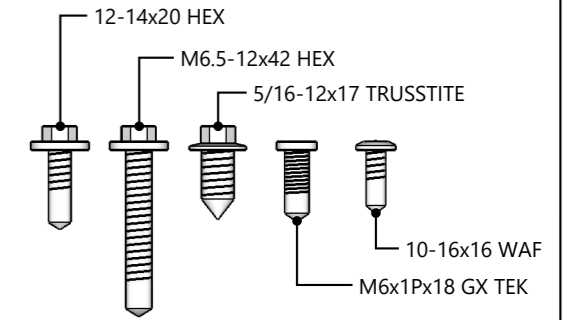
Crown rafter detail



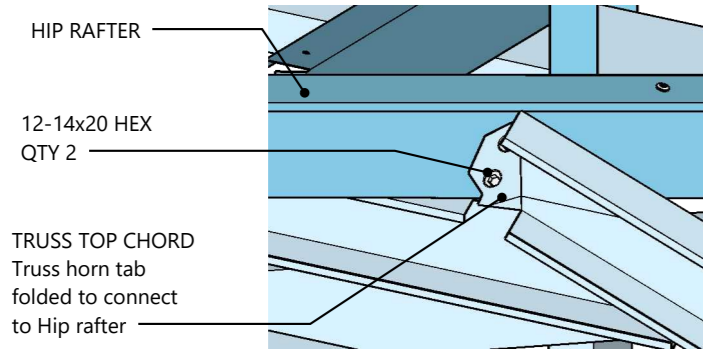
Crown rafter, reverse view



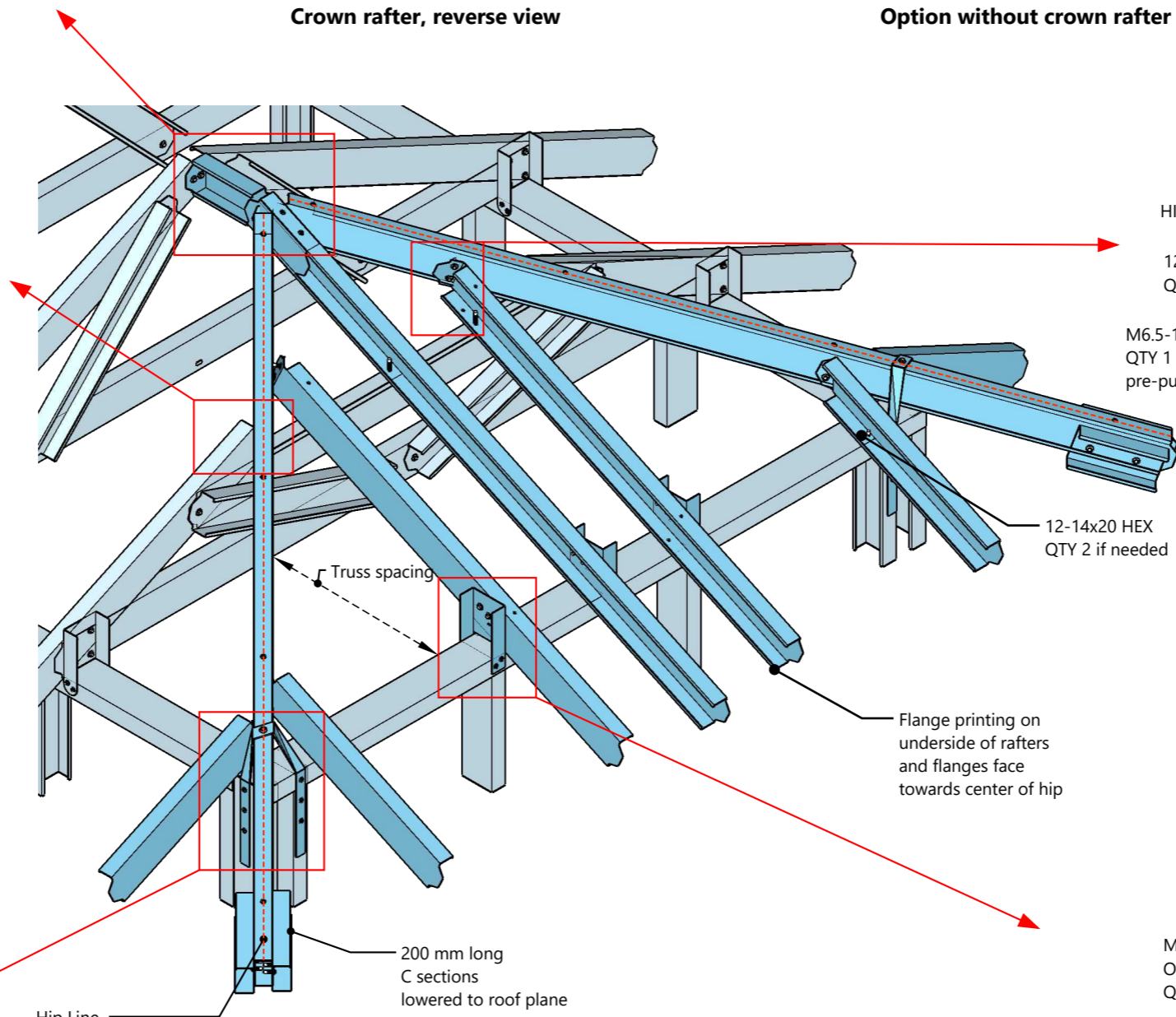
Option without crown rafter



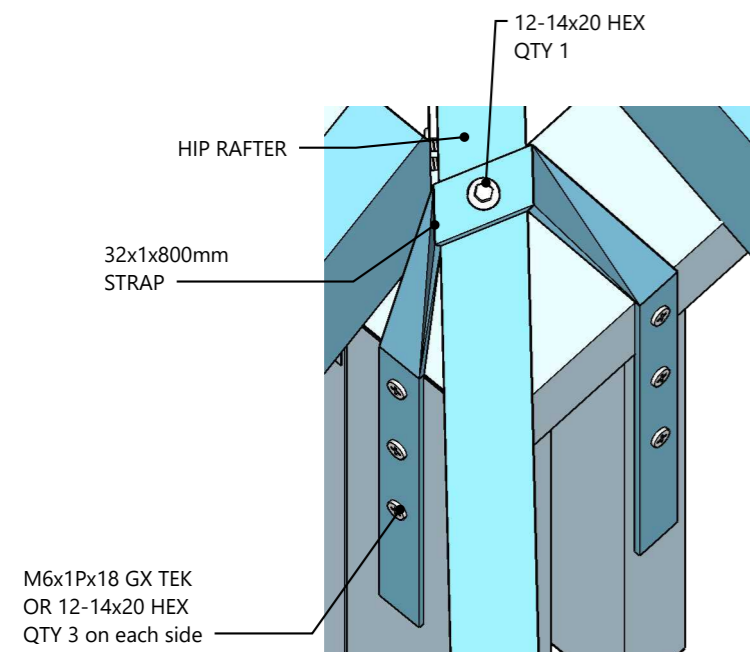
Fasteners



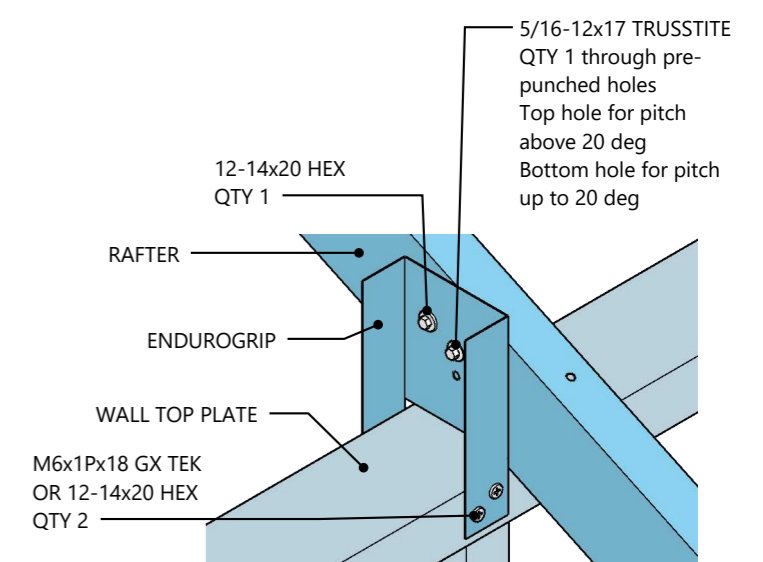
Truss horn to hip rafter connection



Common rafter detail



Hip rafter to wall tiedown



Rafter to wall tiedown

REVISIONS		
DD/MM/YYYY	REMARKS	
1	19/05/2021	ENDUROCAD® software v11.01.28
2		
3		
4		