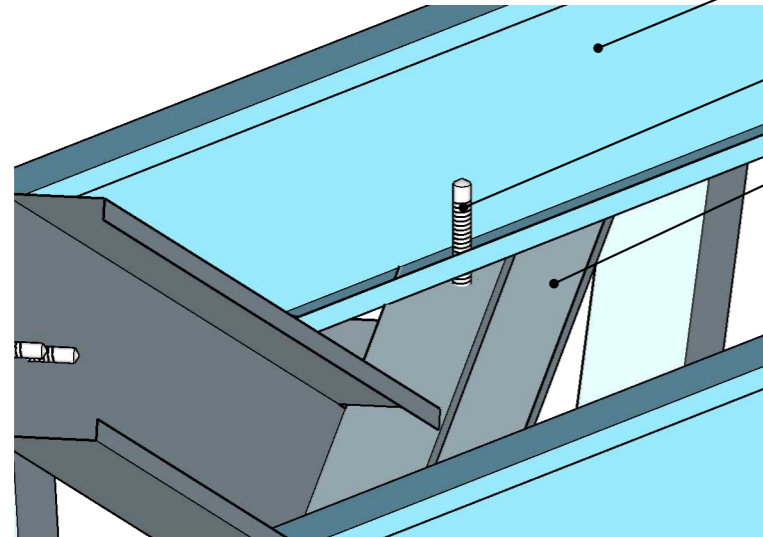
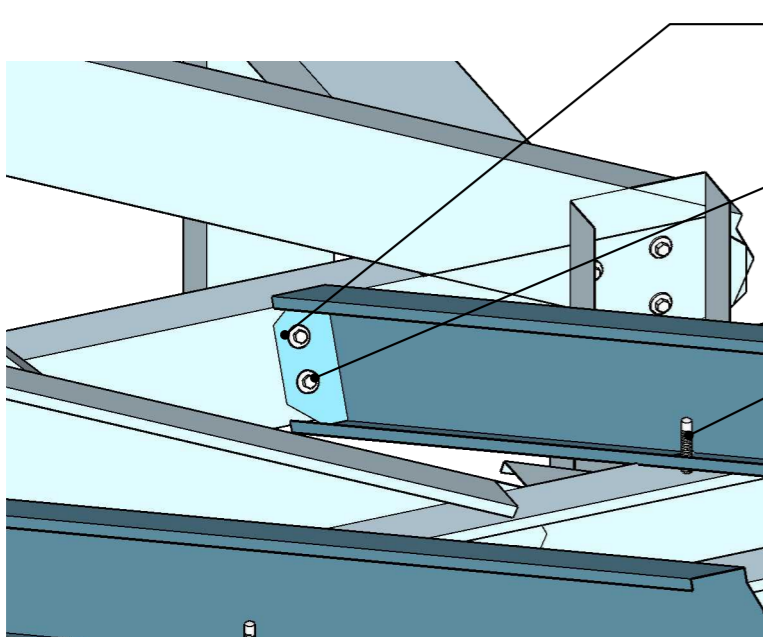


Fasteners



Rafter to Chord connection detail



Rafter to Truss connection detail

Rafter

M6.5-12x42 HEX

Truss chord

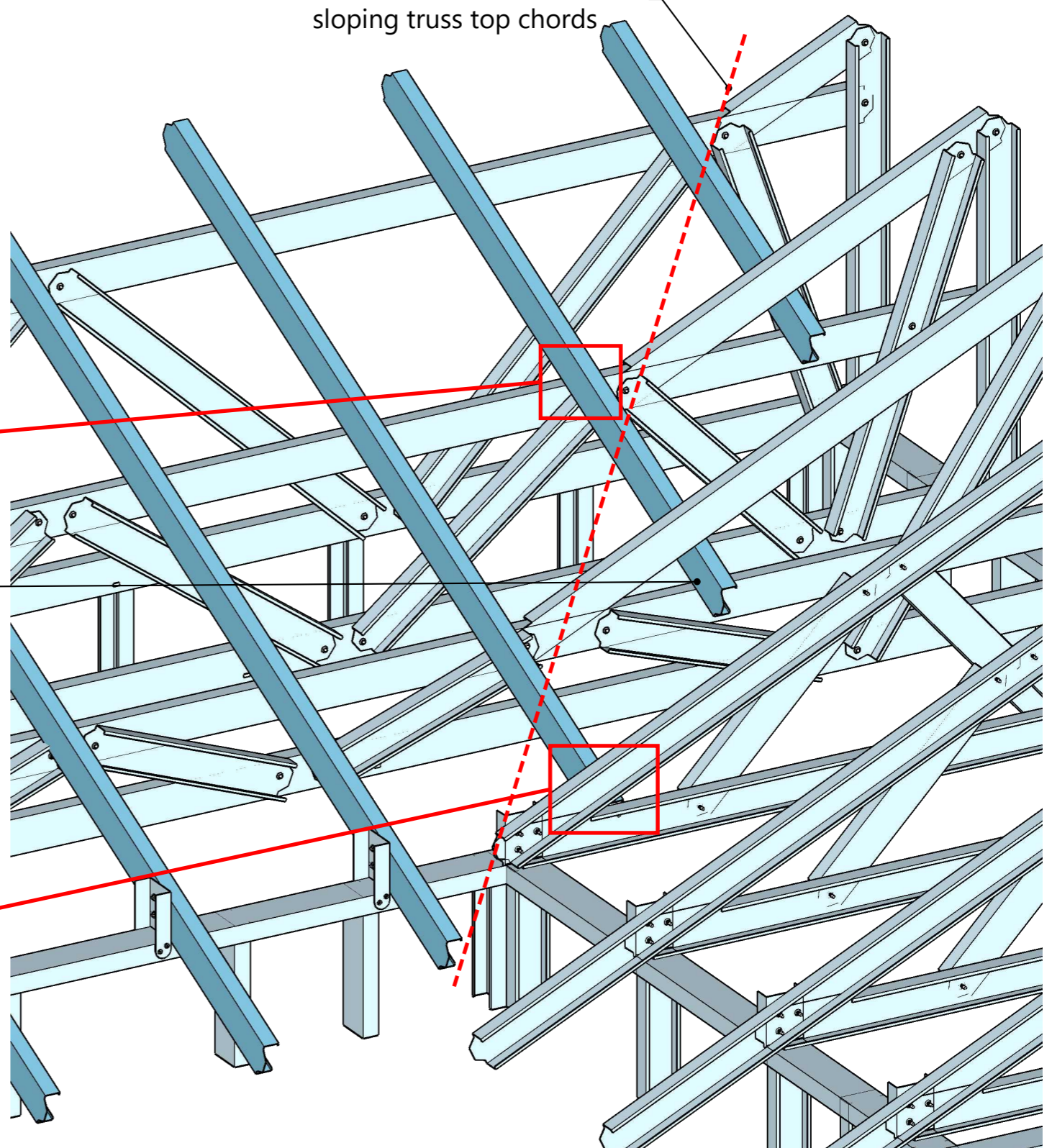
Rafter sits on top of truncated truss top chord.

Manually notched rafter flanges and bend tab on site

12-14x20 HEX QTY 2

M6.5-12x42 HEX

Valley line extends between top flanges of rafters and sloping truss top chords



NOTE: Valley tray to be inserted along valley line to support valley flashing.

REVISIONS	
DD/MM/YYYY	REMARKS
1 09/06/2021	ENDUROCAD <sup>®</sup> software v11.01.30
2	
3	
4	