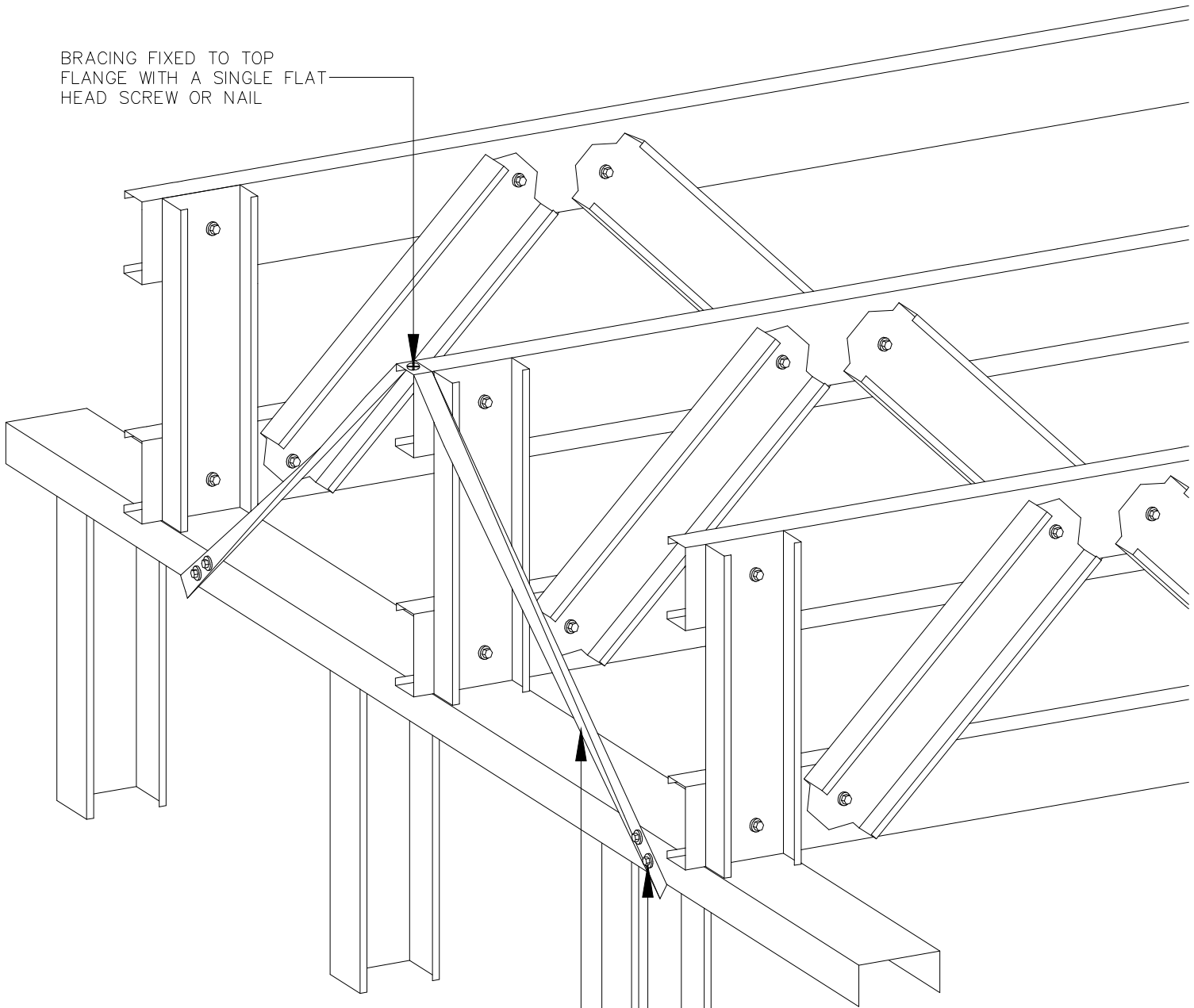


BRACING FIXED TO TOP
FLANGE WITH A SINGLE FLAT
HEAD SCREW OR NAIL



BRACING FIXED TO TOP PLATE
WITH 2# M6-1P x 18 TEK
SCREWS AT EATCH END

BRACING TO BE PLACED ON
JOISTS ON 2700mm CENTRES
MAXIMUM AT THE END OF JOISTS
OR AT INTERNAL SUPPORTS