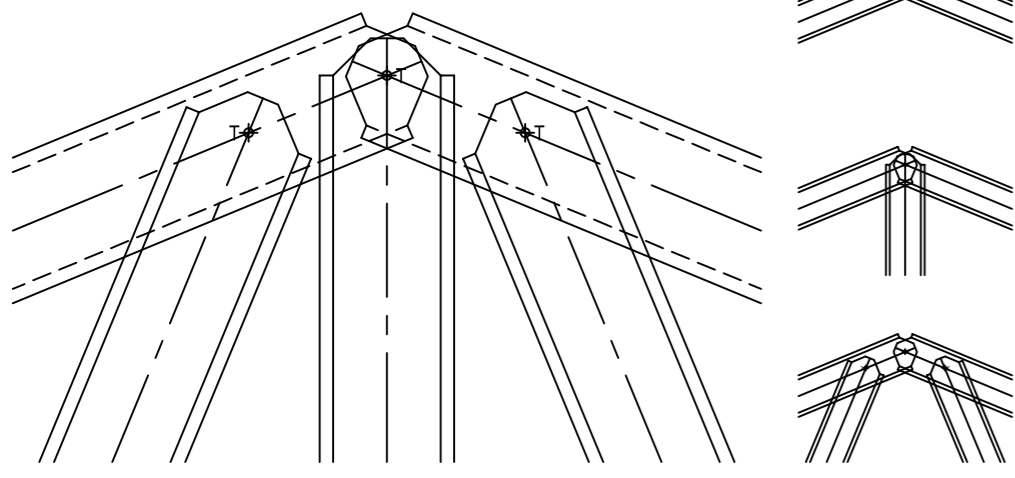


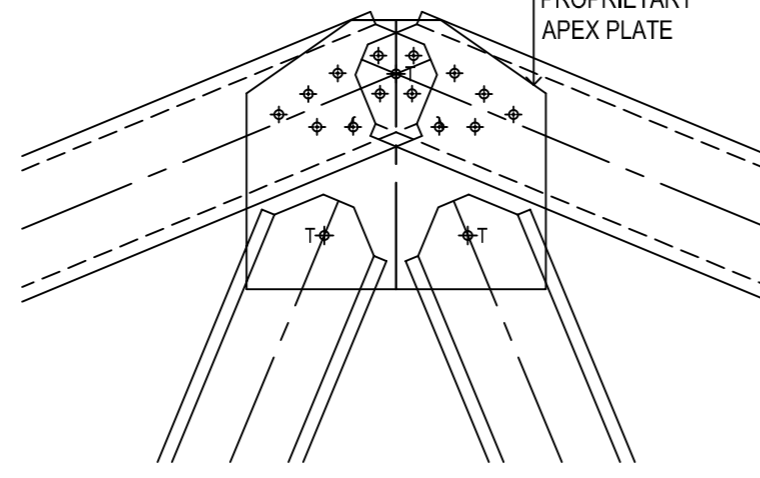
ENDURO FRAME[®]

SC-APEX-A-XX-XX-X



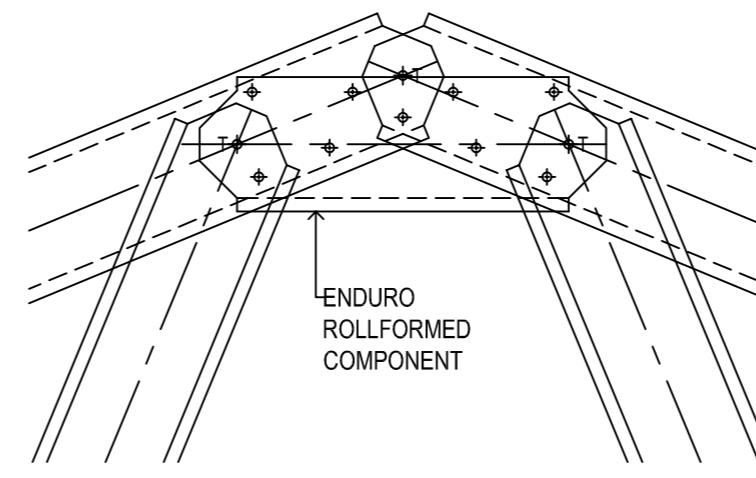
TRUSSTITE ONLY

SC-APEX-C-XX



3 X TRUSSTITE + UP TO 14 X 12-14 X 20MM HEX SCREWS

SC-APEX-E1-XX-XX-XX (UNBOXED TOP CHORDS)
SC-APEX-E2-XX-XX-XX (BOXED TOP CHORDS)



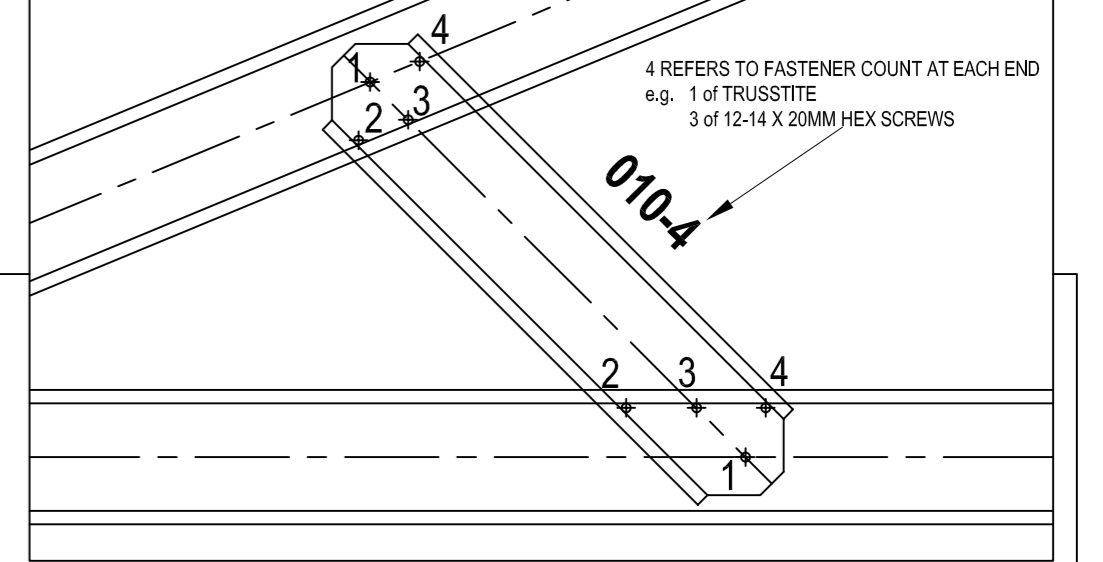
3 X TRUSSTITE + UP TO 9 X 12-14 X 20MM HEX SCREWS

WEB - CHORD SCREW COUNTS

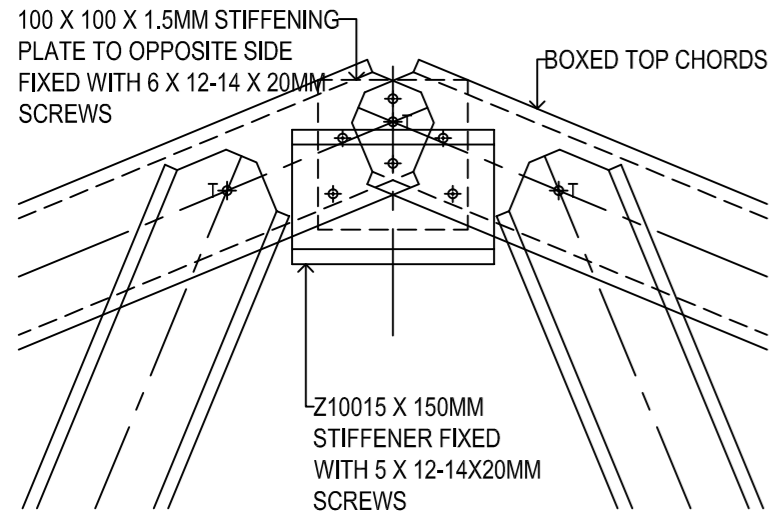
Total fastener count at each end

e.g. 010- 4

Part Id

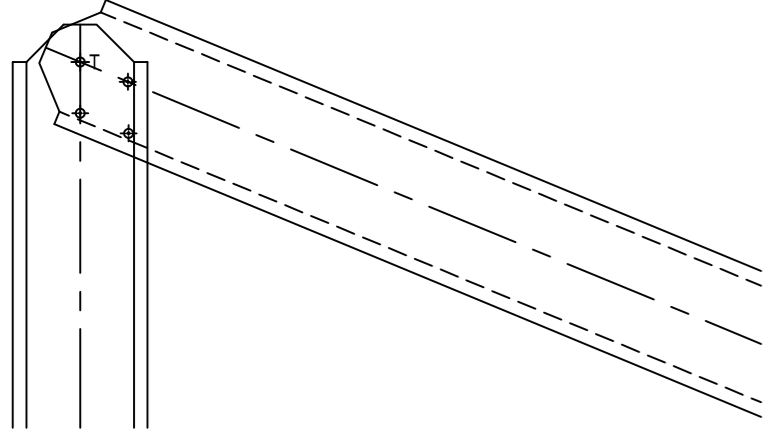


SC-APEX-F-XX-XX



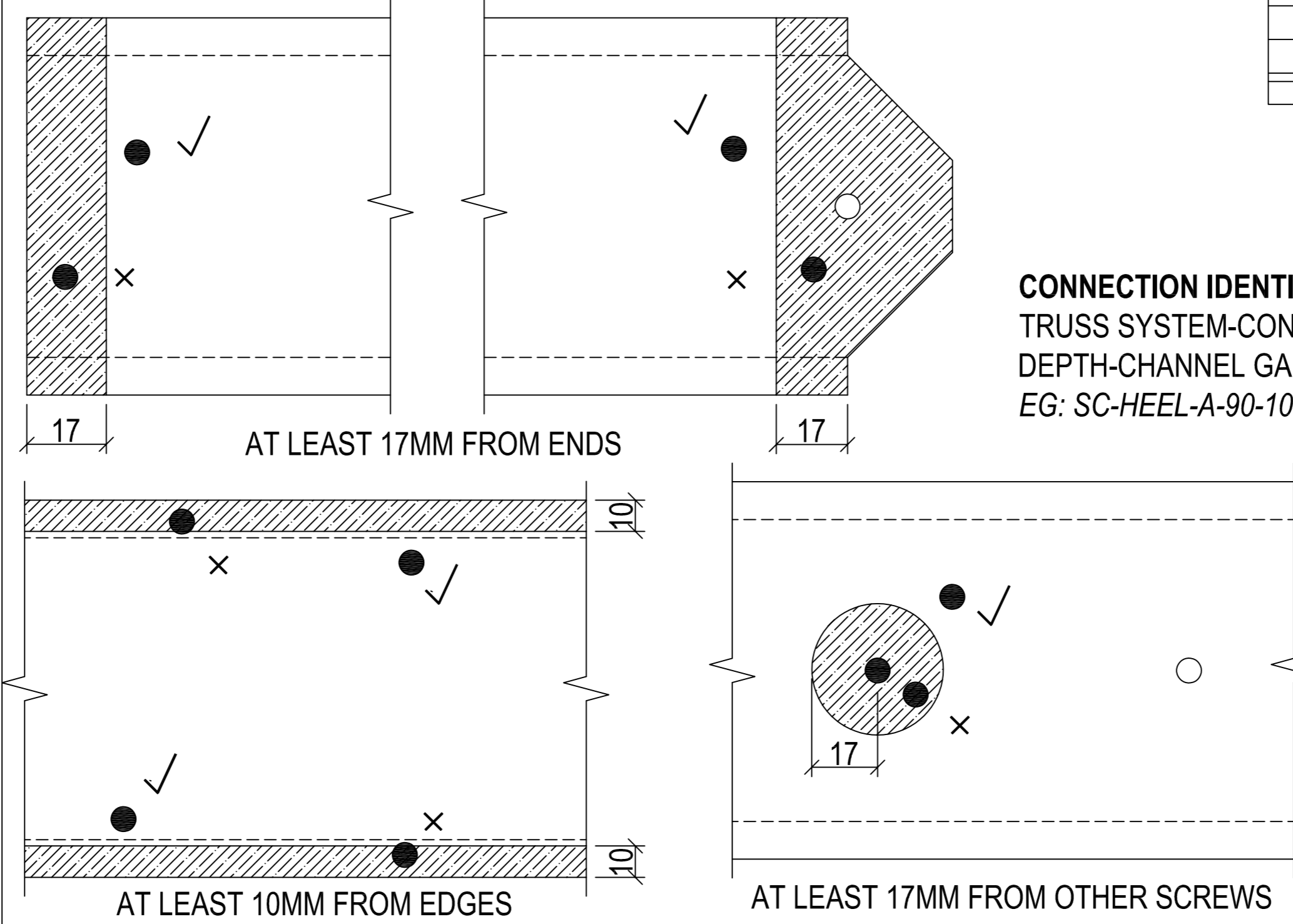
3 X TRUSSTITE + UP TO 6 X 12-14 X 20MM HEX SCREWS TO Z

SC APEX-HS-XX-XX-X (NON-FLUSH CONN.)
SC APEX-HS-F-XX-XX-X (FLUSH CONN.)



1 X TRUSSTITE + UP TO 3 X 12-14 X 20MM HEX SCREWS

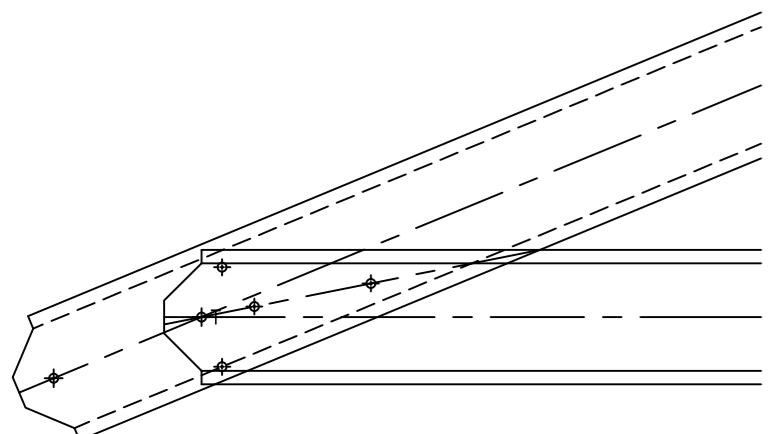
SCREW LOCATION RULES



CONNECTION IDENTIFICATION:
TRUSS SYSTEM-CONNECTION TYPE-VARIANT-CHANNEL DEPTH-CHANNEL GAUGE-SCREW NO.
EG: SC-HEEL-A-90-10-6

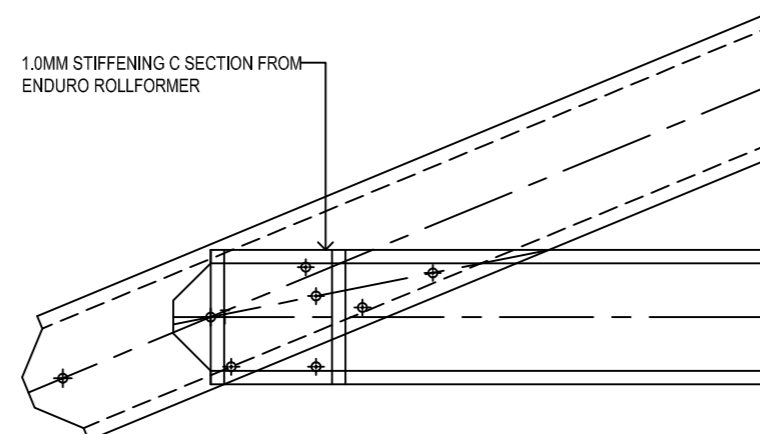
PLACEMENT RULES FOR MULTIPLE STIFFENING SCREWS:
1. **GENERAL** - DON'T PUT SCREWS IN SHADED AREAS SHOWN
2. **APEX** - PLACE SYMMETRICALLY ON EACH SIDE OF APEX STIFFENING PLATE
3. **DISTANCE FROM TRUSSTITE** - PLACE SCREWS FURTHEST AWAY FROM THE TRUSSTITE AND MOVE IN TOWARD TRUSSTITE AS NUMBER OF SCREWS INCREASES

SC-HEEL-A-XX-XX-X



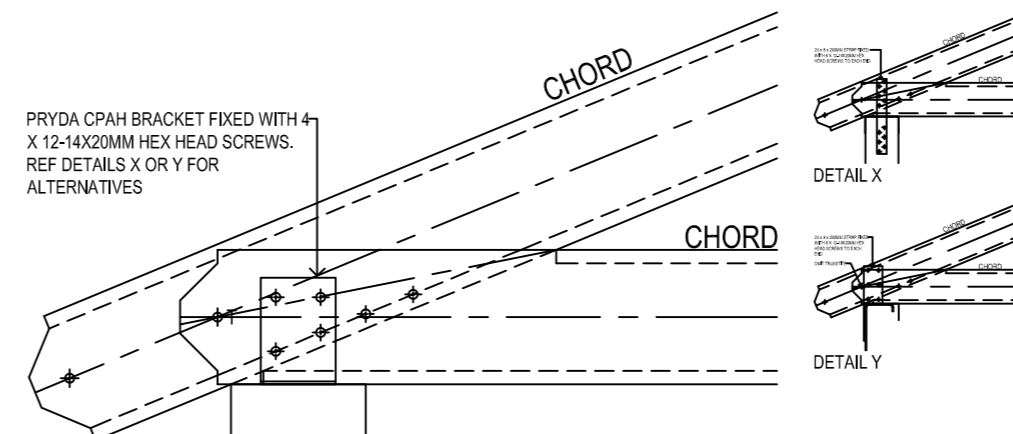
1 X TRUSSTITE + UP TO 5 X 12-14 X 20MM HEX SCREW

SC-HEEL-B-XX-XX-X (VERTICAL STIFFENER)



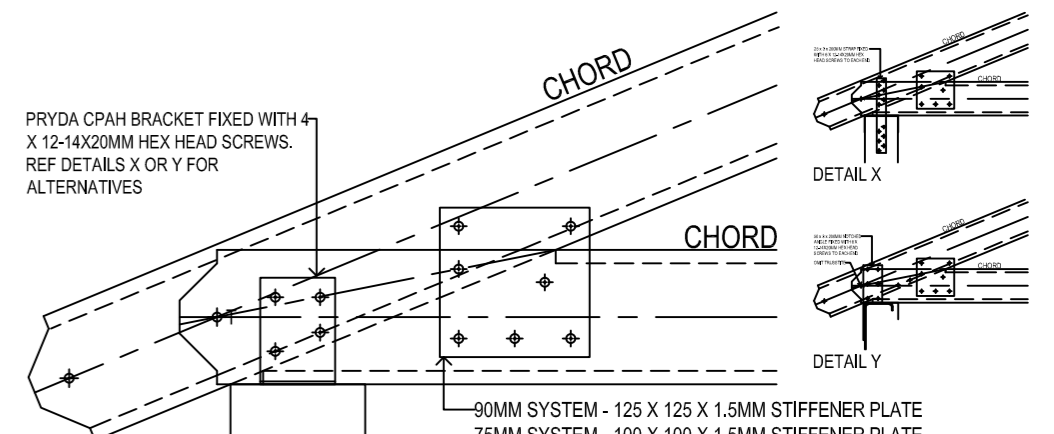
1 X TRUSSTITE + UP TO 6 X 12-14 X 20MM HEX SCREW

SC-HEEL-E1-XX-XX-X (UNBOXED TOP CHORDS)
SC-HEEL-E2-XX-XX-X (BOXED TOP CHORDS)



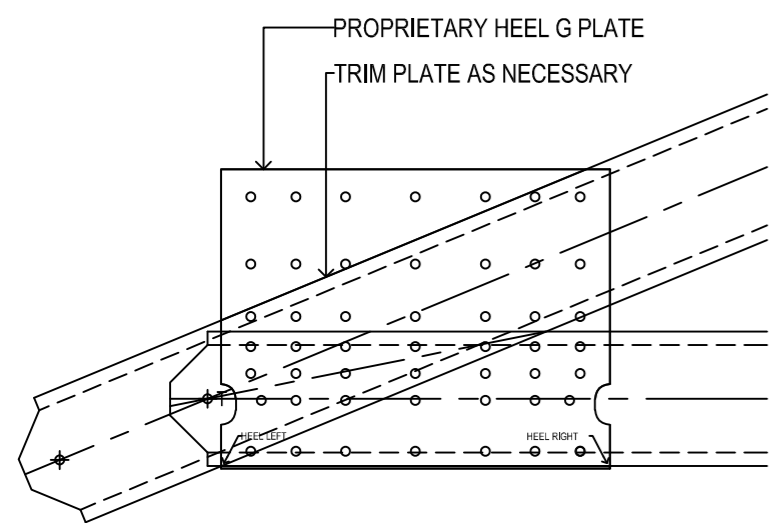
1 X TRUSSTITE + UP TO 6 X 12-14 X 20MM HEX SCREW

SC-HEEL-F1-XX-XX-XX (UNBOXED TOP CHORDS)
SC-HEEL-F2-XX-XX-XX (BOXED TOP CHORDS)



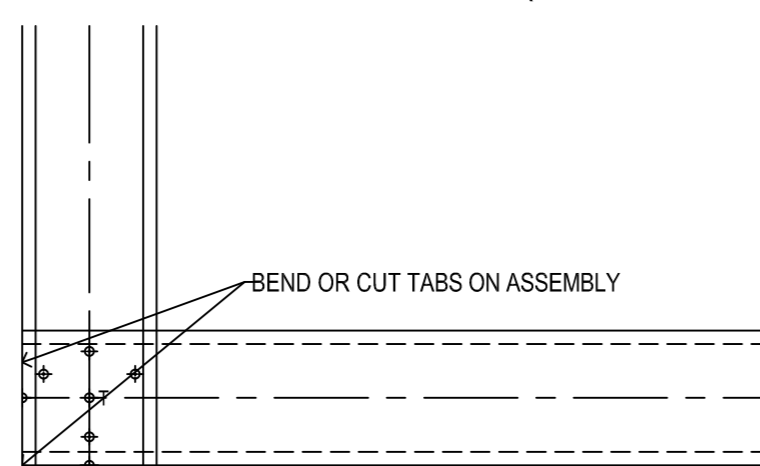
1 X TRUSSTITE + 11 X 12-14 X 20MM HEX SCREW

SC-HEEL-G-XX-XX-XX



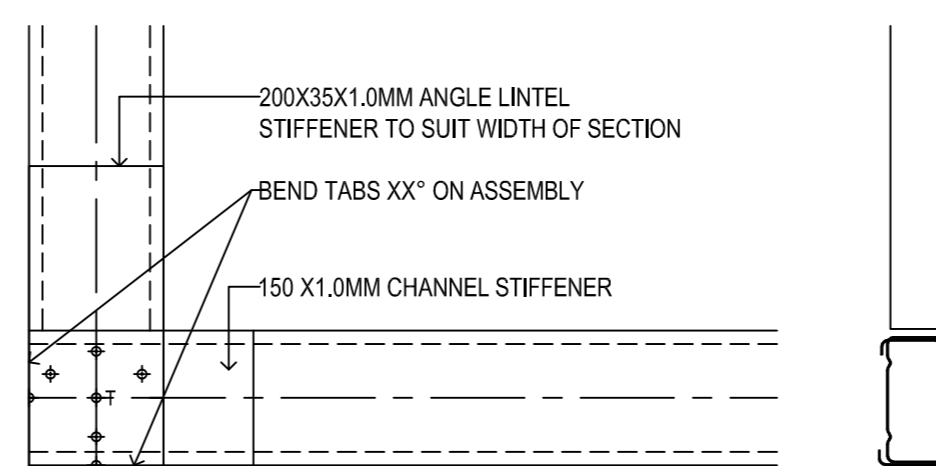
1 X TRUSSTITE + 9 OR 13 X 12-14 X 20MM HEX SCREW

SC-HEEL-HS-XX-XX-X (NON-FLUSH CONN.)
SC-HEEL-HS-F-XX-XX-X (FLUSH CONN.)



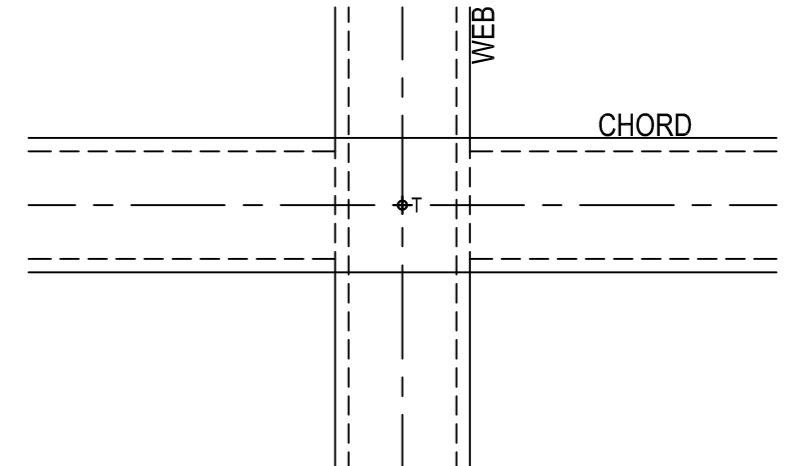
1 X TRUSSTITE + UP TO 4 X 12-14 X 20MM HEX SCREW

SC-HEEL-HSA-F-A-XX-XX-X



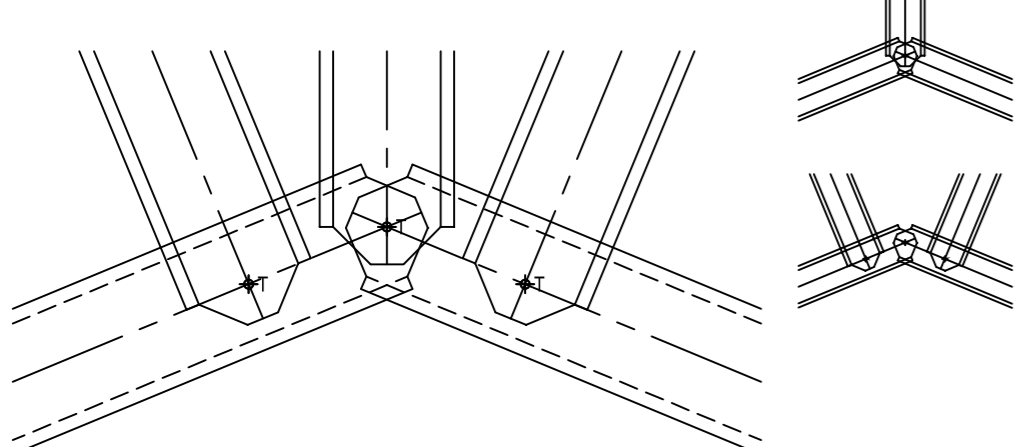
5 X 12-14 X 20 HEX SCREW + 4 X 12-14 X 20 HEX SCREW TO STIFFENER

SC-CROSS-XX-XX-X



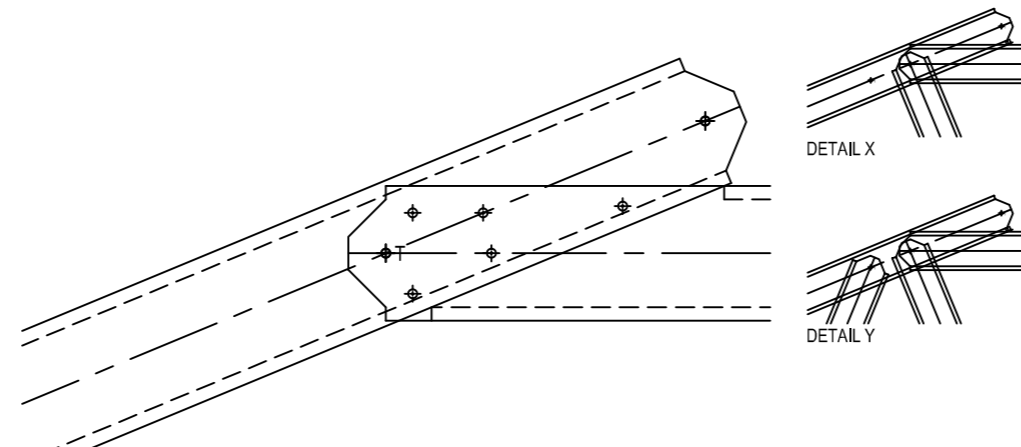
1 X TRUSSTITE

SC-ELBOW-A-XX-XX-X



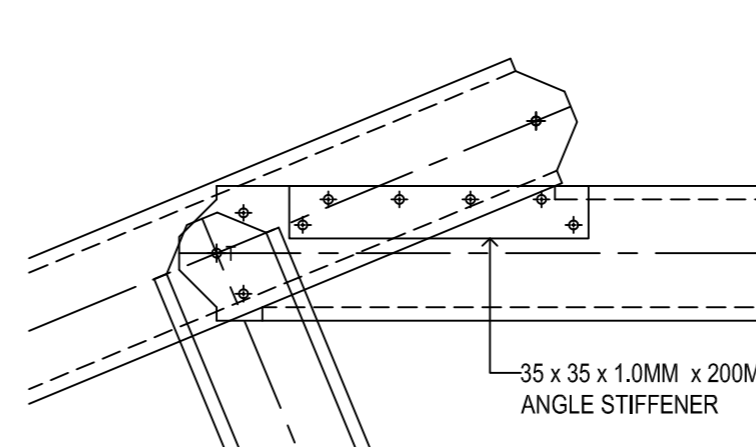
3 X TRUSSTITE

SC-KNEE-A-XX-XX-X



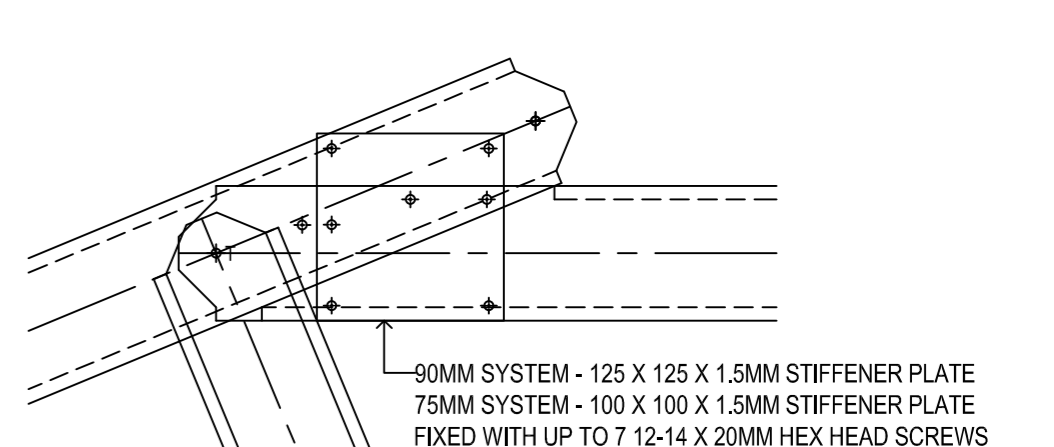
1 X TRUSSTITE + UP TO 5 X 12-14 X 20MM HEX SCREWS

SC-KNEE-C-XX-XX-X



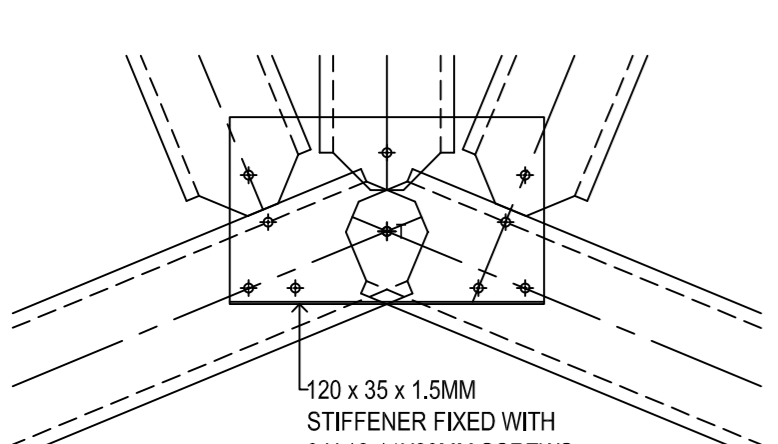
1 X TRUSSTITE + UP TO 7 X 12-14 X 20MM HEX SCREWS

SC-KNEE-E-XX-XX-X



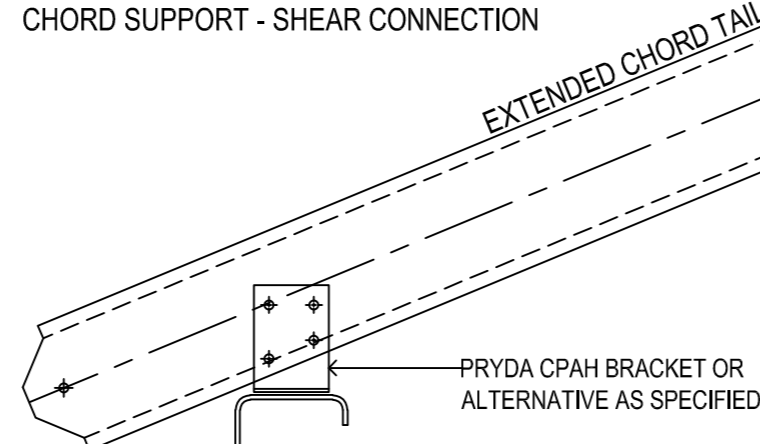
1 X TRUSSTITE + 8 X 12-14 X 20MM HEX SCREWS

SC-ELBOW-C-XX-XX-X



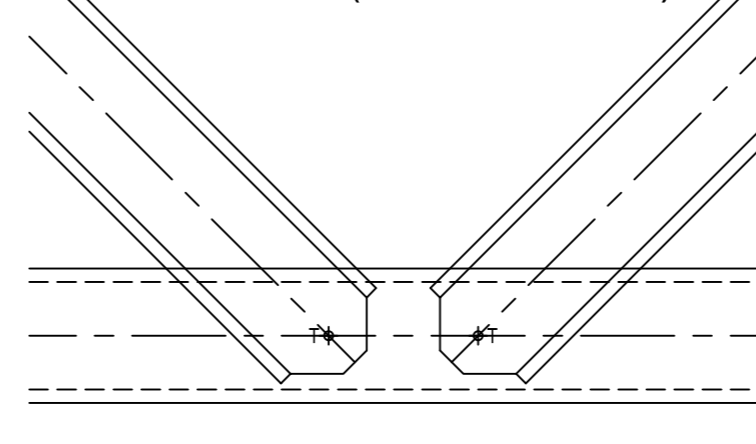
1 X TRUSSTITE + 9 X 12-14 X 20MM HEX SCREWS TO STIFFENER

SC-PROP-XX-XX-X
CHORD SUPPORT - SHEAR CONNECTION



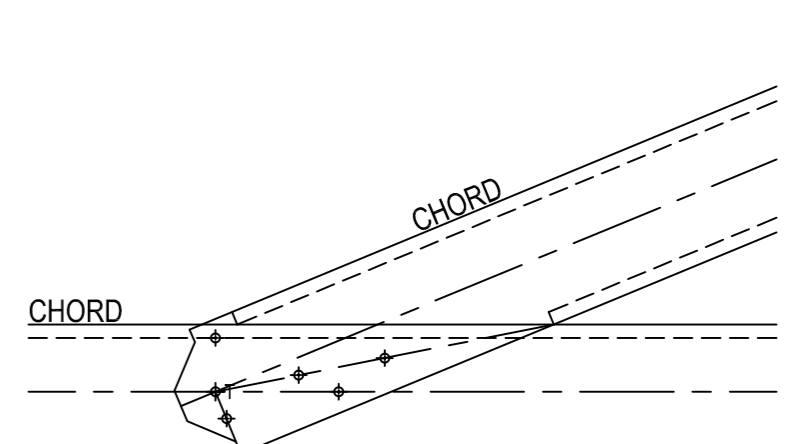
4 X 12-14X20 HEX SCREW CHORD TO SUPPORT (TYPICAL)

SC-SUP-XX-XX (UNSTIFFENED)



WEB FASTENERS TO SUIT WEB DESIGN

SC-CHORDPT-A-XX-XX-X



1 X TRUSSTITE + UP TO 5 X 12-14 X 20MM HEX SCREWS