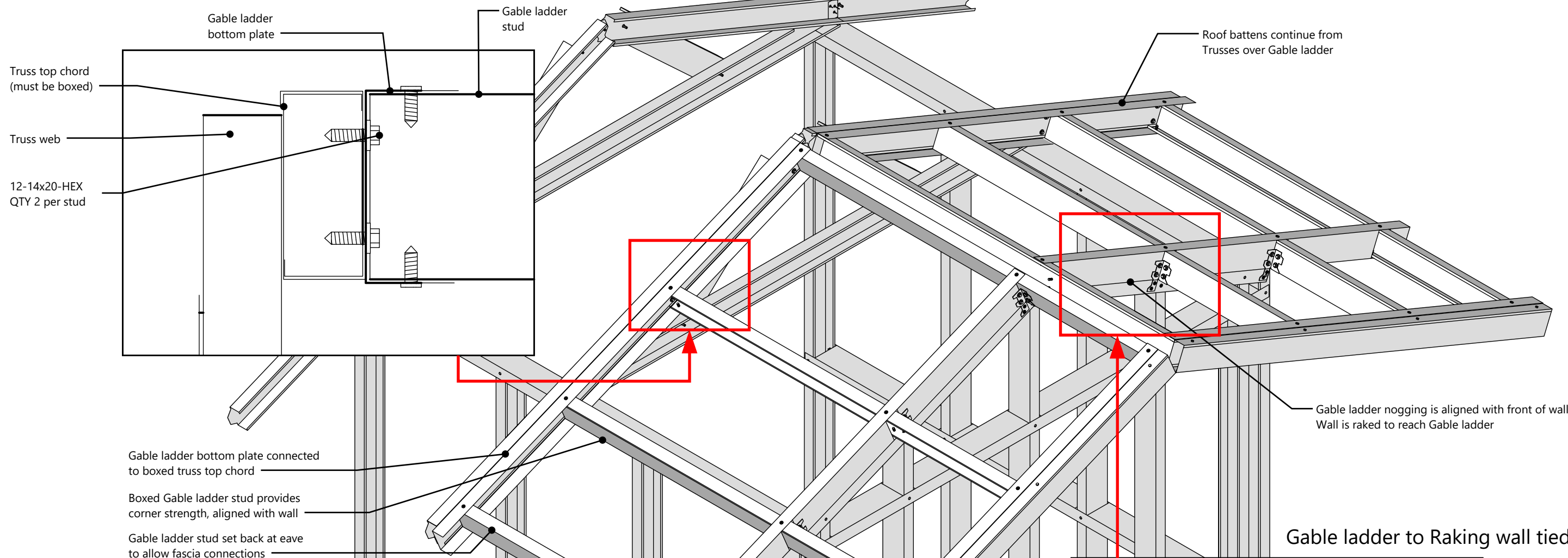
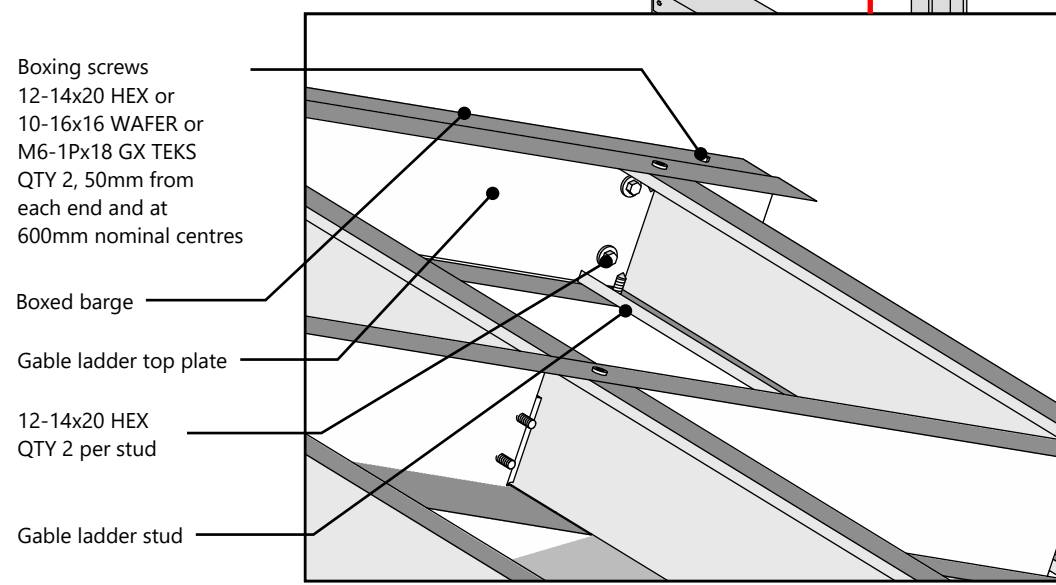


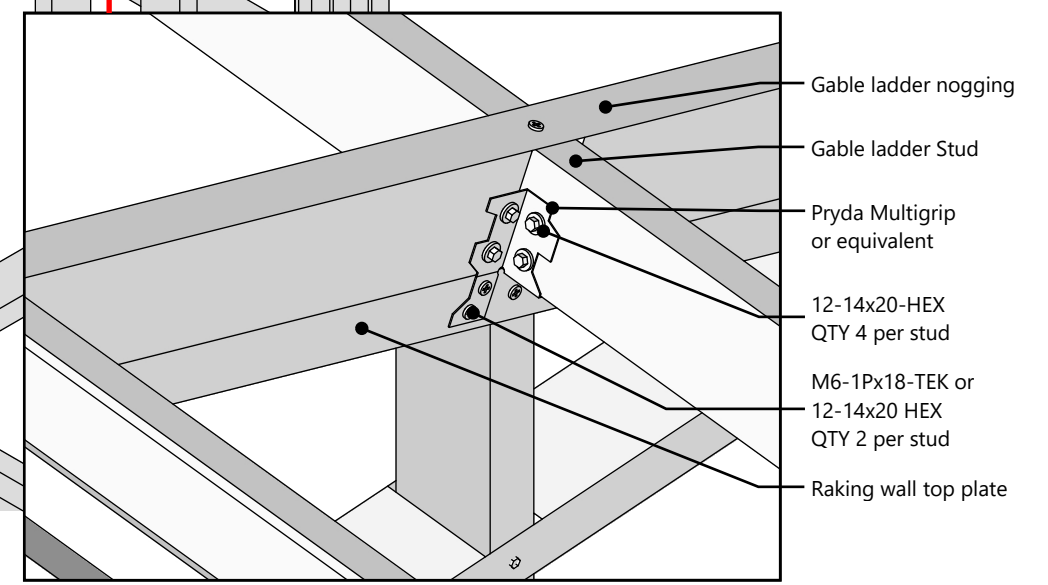
### Gable ladder to Truss tiedowns



### Barge connections



### Gable ladder to Raking wall tiedowns



NOT SHOWN  
Screws connecting Raking wall top plate web to Gable ladder nogging flange 12-14x20-HEX, QTY 2 within 50mm of every wall stud OR Ensure Gable ladder studs sit above raking wall studs

REVISIONS		
DD/MM/YYYY	REMARKS	
1	6/05/2020	First revision, ENDUROCAD <sup>®</sup> software v11.00.01
2		
3		
4		