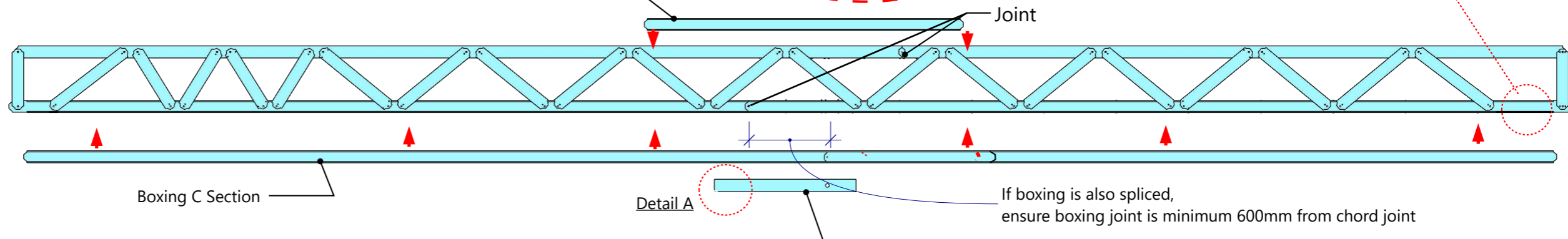
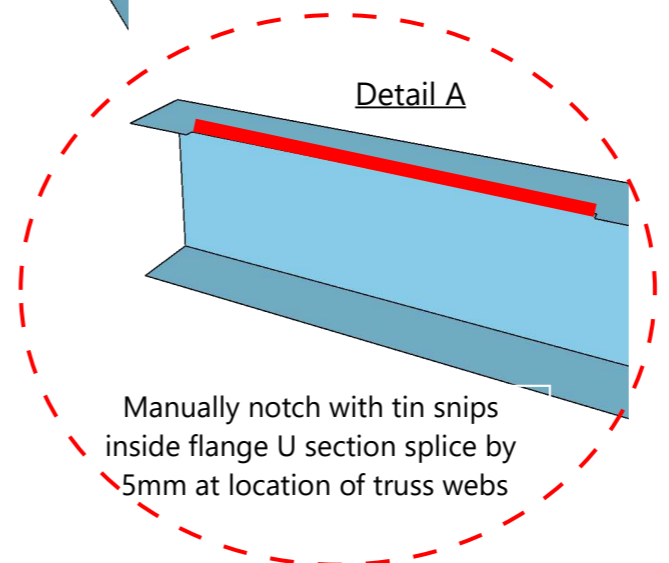
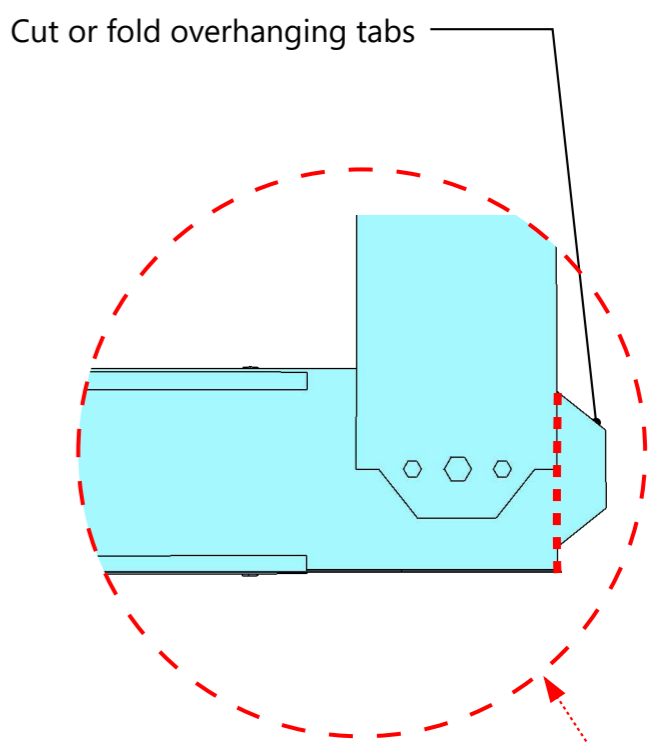
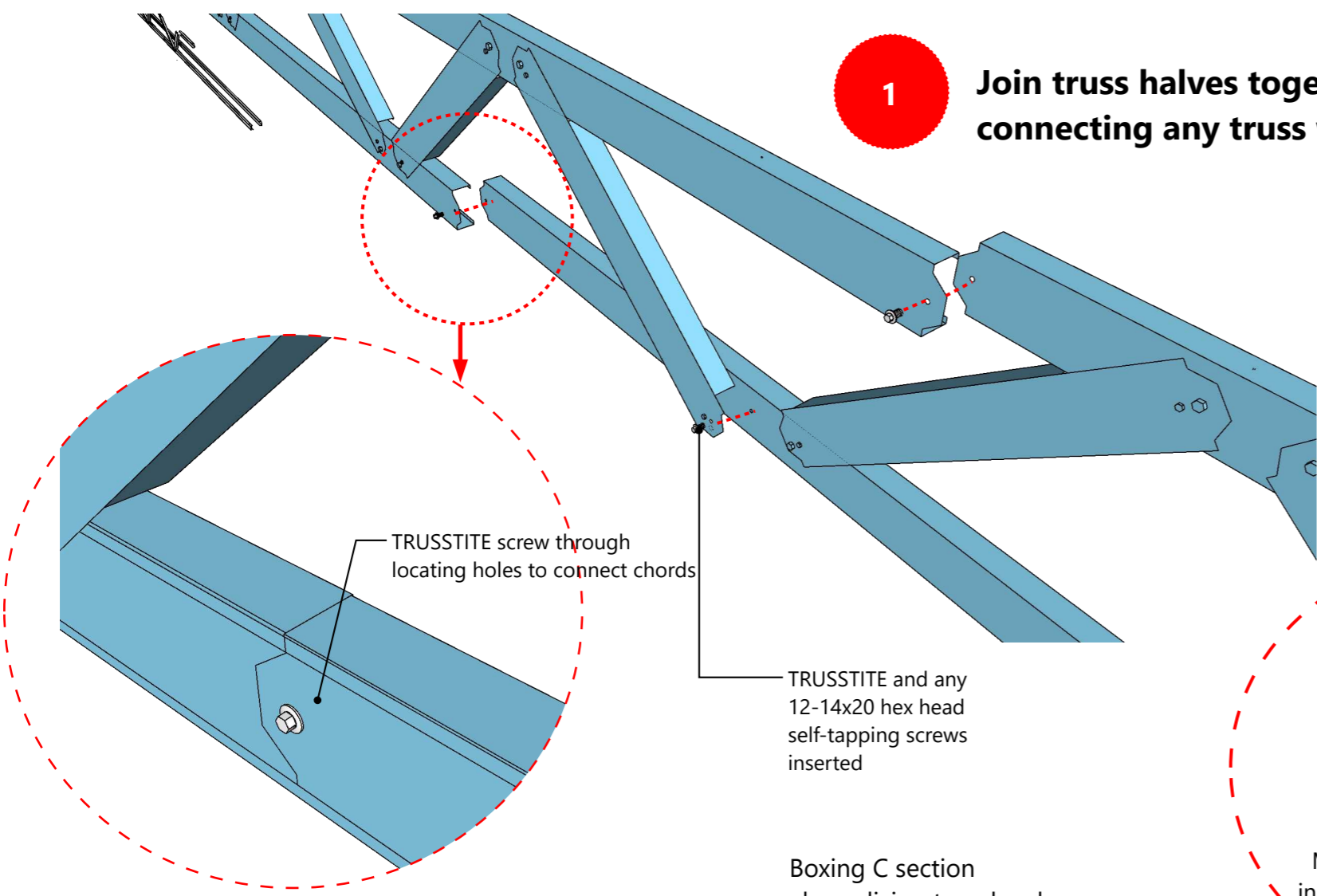
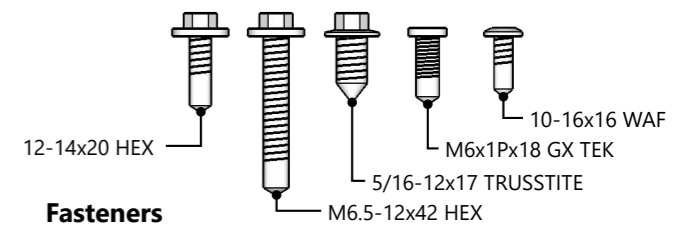


1

Join truss halves together connecting any truss webs



2

Add boxing & splice pieces in locations indicated in fabrication drawings

Wide flange of boxing piece faces to the outside of the truss
Truss chords face toes down and boxing & splice pieces face toes up

Note: Location of boxing pieces may vary from drawing above. Refer to fabrication drawings for exact locations.



Scan QR code to go to the ENDUROFRAME® Installation Channel to see installation videos



Scan QR code to see 3D model of drawing.

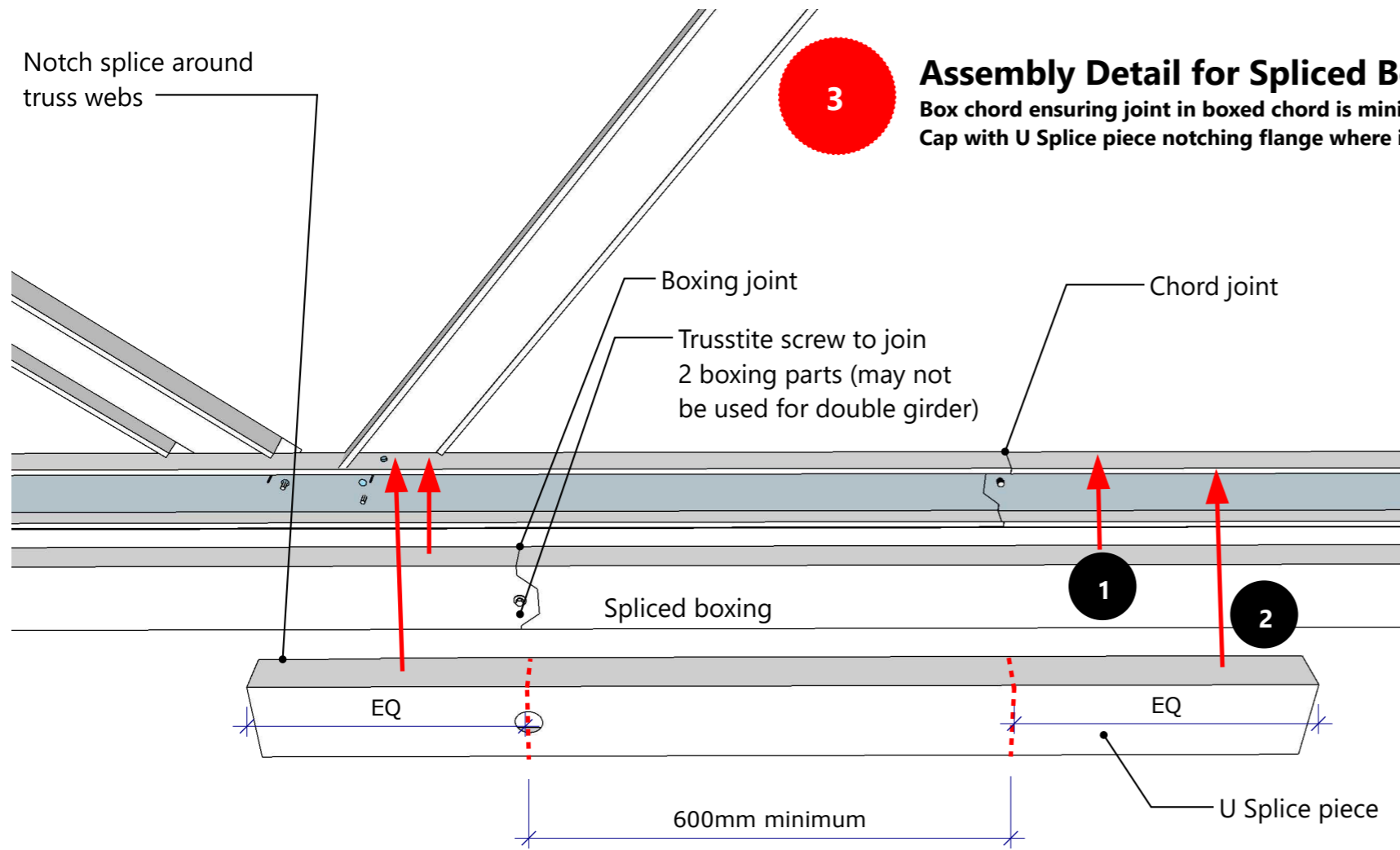
REVISIONS		
DD/MM/YYYY	Version	REMARKS
29/08/2021	Version 1	
30/09/2021	Version 2	
06/10/2021	Version 3 - Updated detail for double, un-boxed chords	

Notch splice around truss webs

3

Assembly Detail for Spliced Boxed chord

Box chord ensuring joint in boxed chord is minimum 600mm from chord joint
Cap with U Splice piece notching flange where it clashes with truss webs



4

Add fasteners to U splice piece

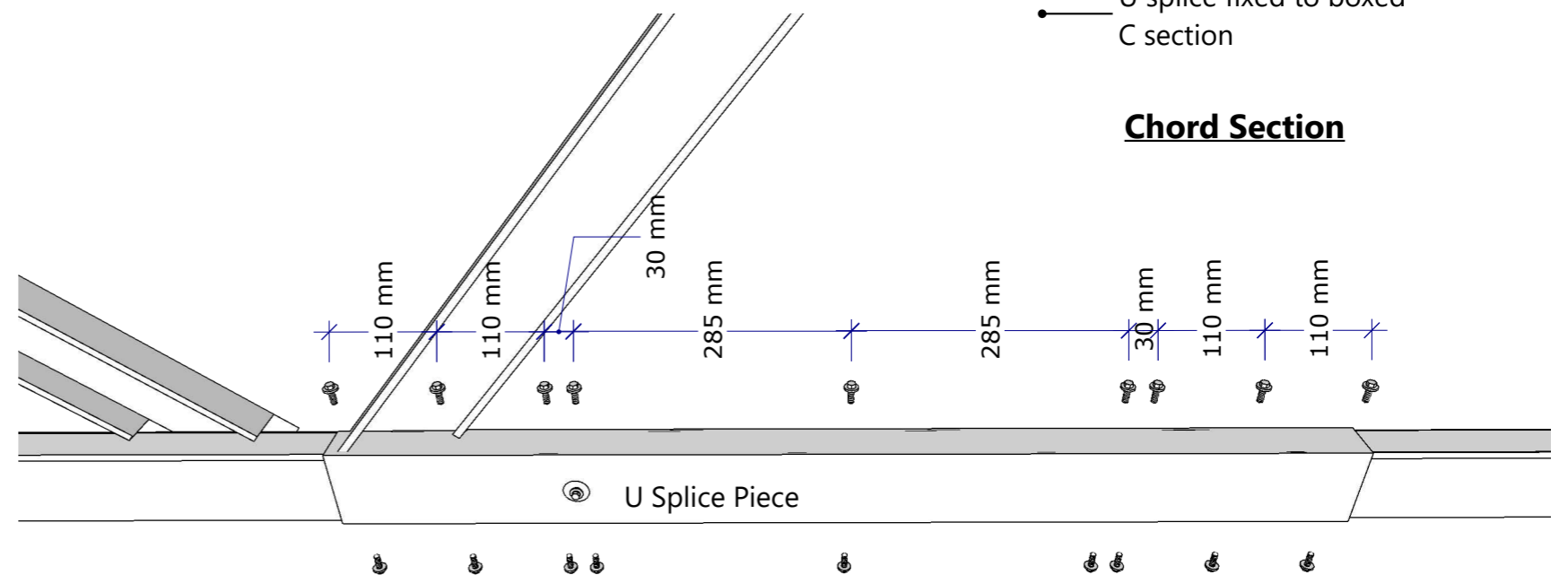
M6-1PX17mm Smooth top Tek, 12-14x20 hex head or 10-16x16mm hex head fasteners fixed 15mm from each end of the splice and at the locations shown below

20mm nom

All sections fixed with M6-1Px18mm Smooth Top Tek, 12-14x20 hex head, or 10-16x16 hex head or wafer head

U splice fixed to boxed C section

Chord Section



5

Add fasteners onto boxing

M6-1PX18mm Smooth top Tek, 12-14x20 hex head or 10-16x16mm hex head fasteners fixed 50mm from each end of the boxing and at 600 mm nominal centres along the boxing

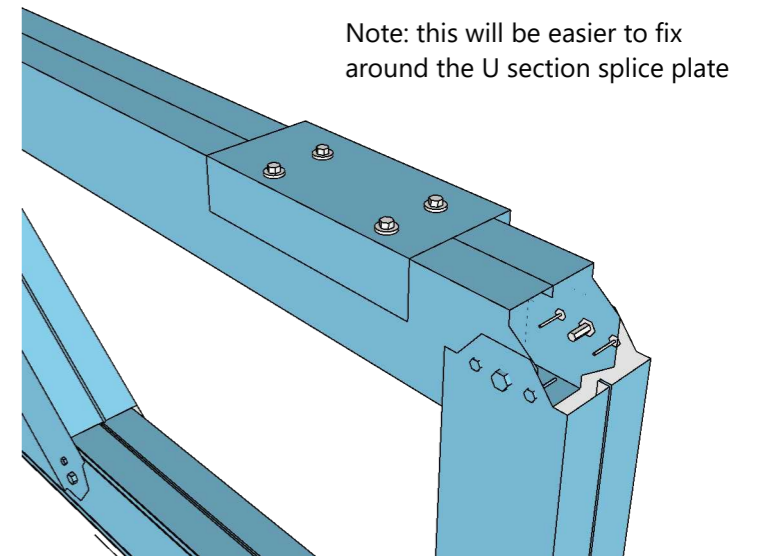
REVISIONS		
DD/MM/YYYY	Version	REMARKS
29/08/2021	Version 1	
30/09/2021	Version 2	
06/10/2021	Version 3 - Updated detail for double, un-boxed chords	

Trusses are joined together with the webs on the outside face of the 2 ply girder truss. The 2 plies of the trusses are connected with 12-14x20 hex head fasteners in the bottom chord, and 200mm capping pieces along the top chord so loads are shared equally between trusses.

6

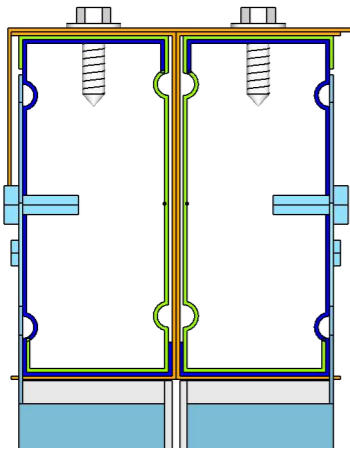
Connect top chords with 200mm long U sections at each end of truss and maximum 2000mm centers

Connect with 4 x 12-14x20 hex head fasteners

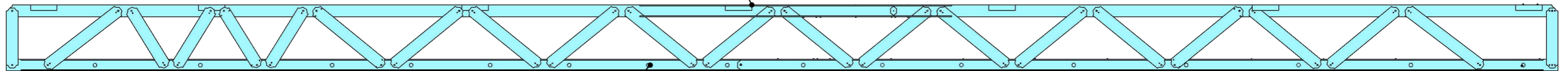


Top Chord cross section

- Truss chord
- U section - splice & cap plate
- Truss Boxing
- Truss web



200mm long capping pieces at maximum 2000mm centers



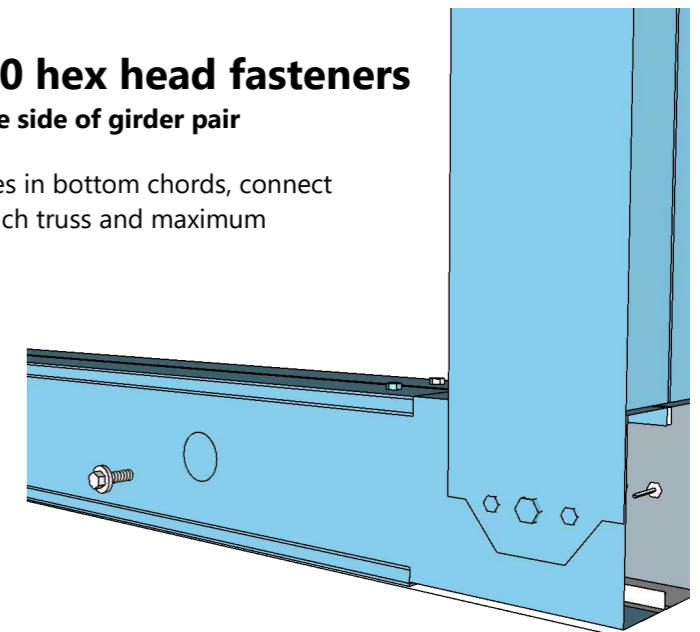
Service holes punched in bottom chords

7

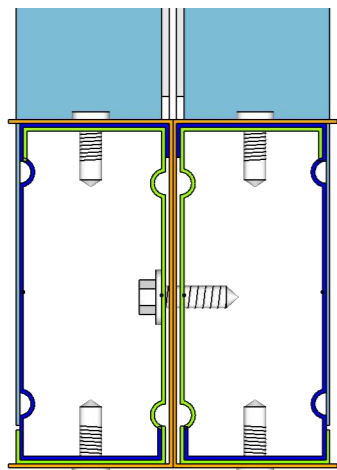
Connect bottom chords with 12-14x20 hex head fasteners

Fasteners are inserted through service holes punched on one side of girder pair

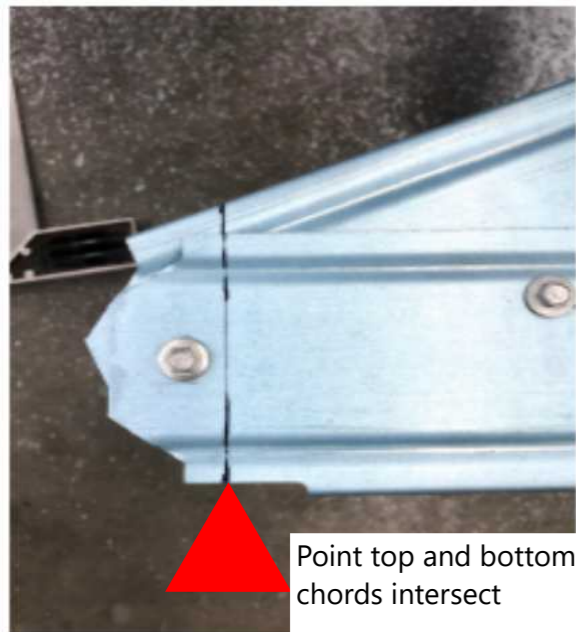
Note: if bottom chords are not boxed and there are no service holes in bottom chords, connect top flanges of chords with 200mm long U sections at the end of each truss and maximum 1200mm centers following the detail above for top chord.



Bottom Chord cross section



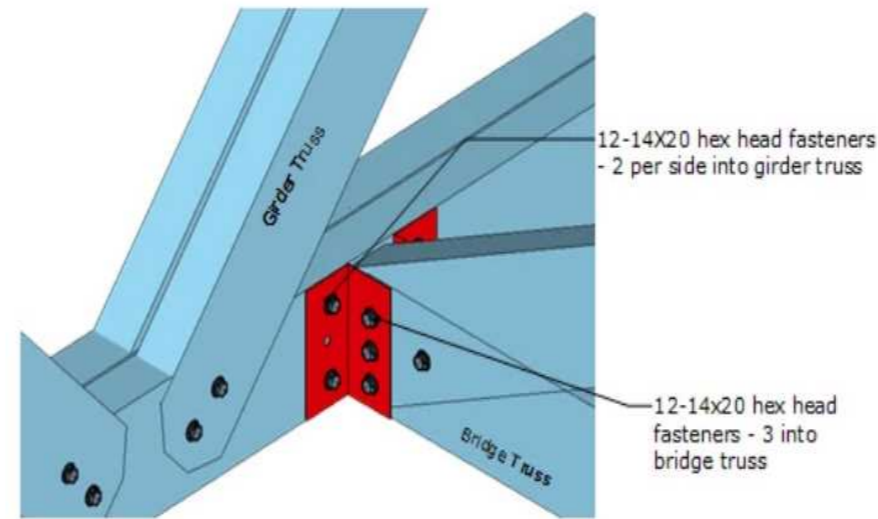
REVISIONS		
DD/MM/YYYY	Version	REMARKS
1 29/08/2021	Version 1	
2 30/09/2021	Version 2	
3 06/10/2021	Version 3 - Updated detail for double, un-boxed chords	
4		



Point top and bottom chords intersect

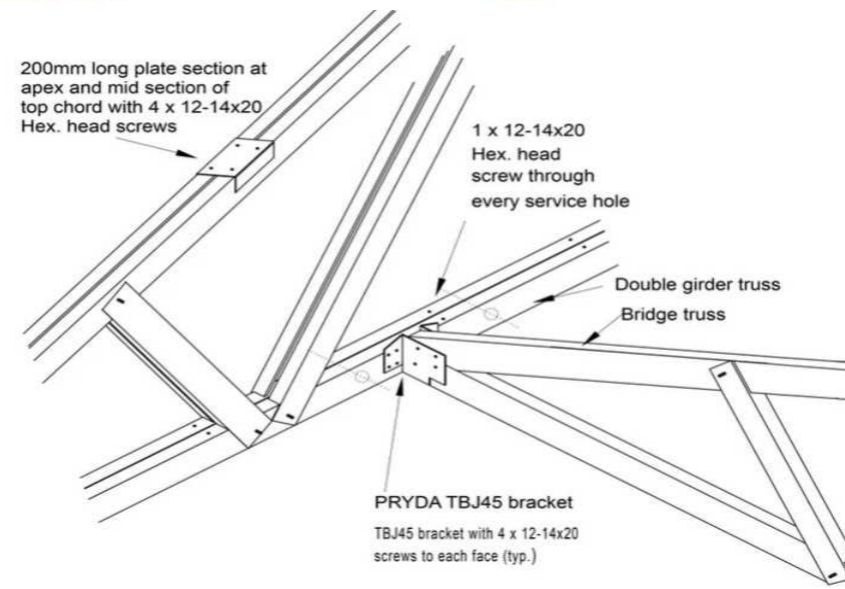


Fasteners offset for bracket

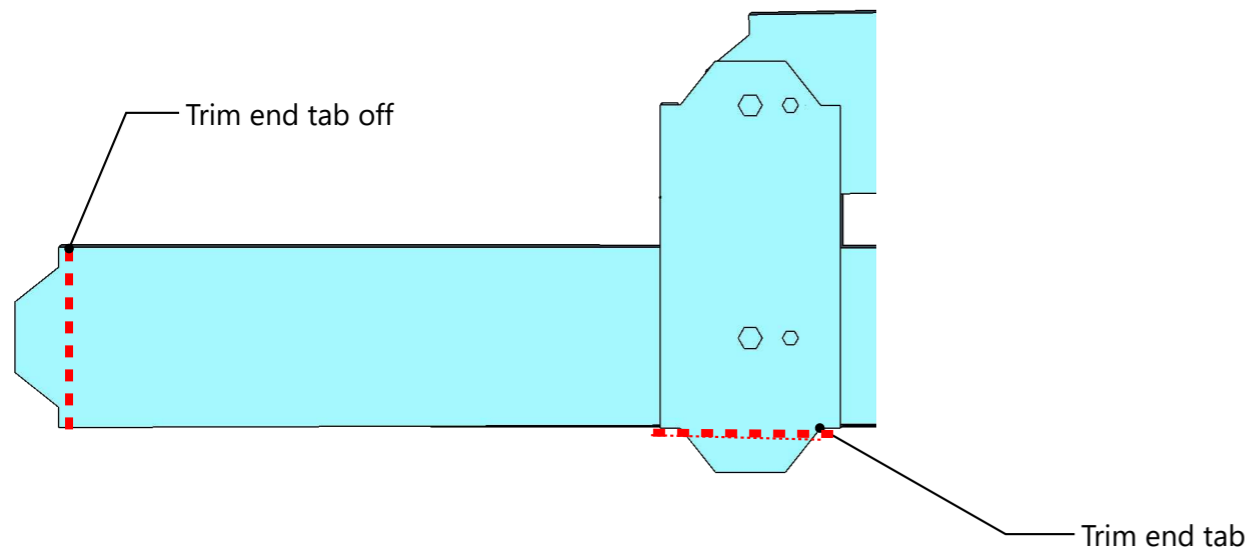


Connecting Bridge Truss to Girder Truss using ENDUROHANGER bracket (low capacity)

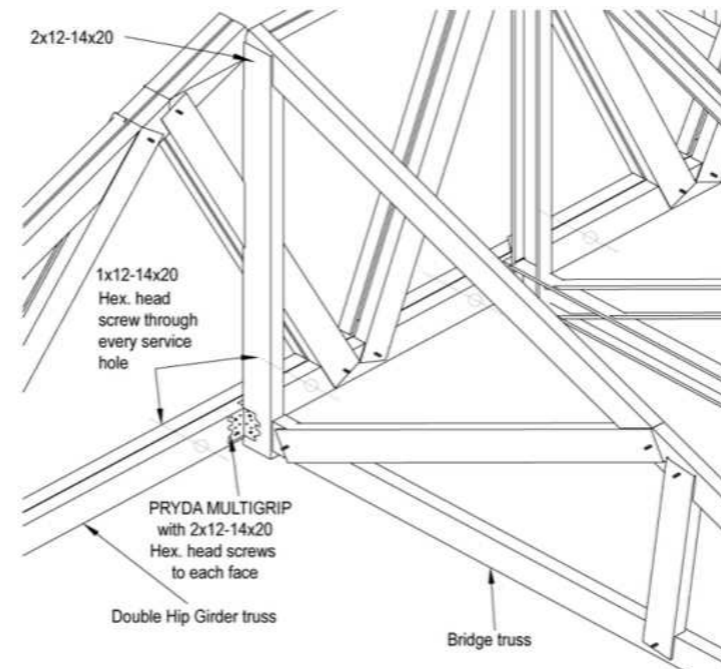
Cut off end of bridge truss at the intersection of top and bottom chords at the underside of the bottom chord and insert additional screws to stiffen heel



Connecting Bridge Truss to Girder Truss using Pryda TBJ-45 bracket (high capacity)



Bridge truss preparation to connect to girder truss
2 options shown



Connecting Bridge Truss to Type 2 Hip End Girder Truss using Pryda Multigrip bracket (low capacity)

Refer to ENDUROFRAME Design Manuals for capacities.

REVISIONS		
DD/MM/YYYY	Version	REMARKS
29/08/2021	Version 1	
30/09/2021	Version 2	
06/10/2021	Version 3 - Updated detail for double, un-boxed chords	