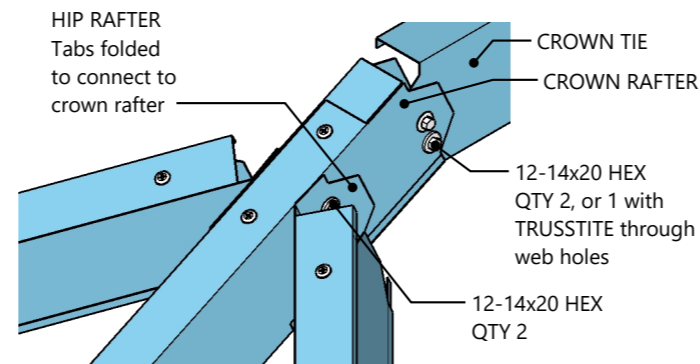
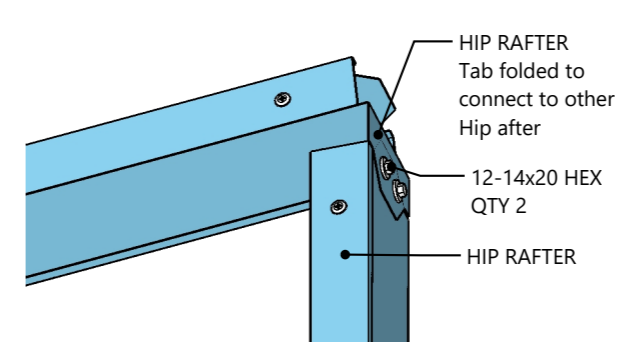


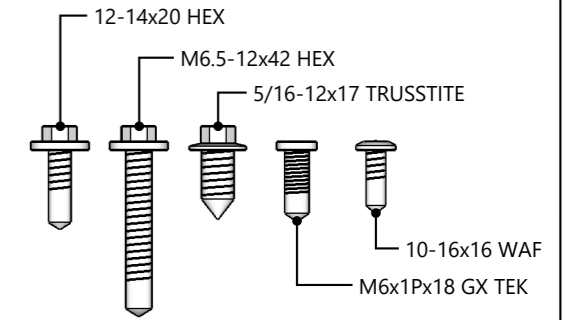
Crown rafter detail



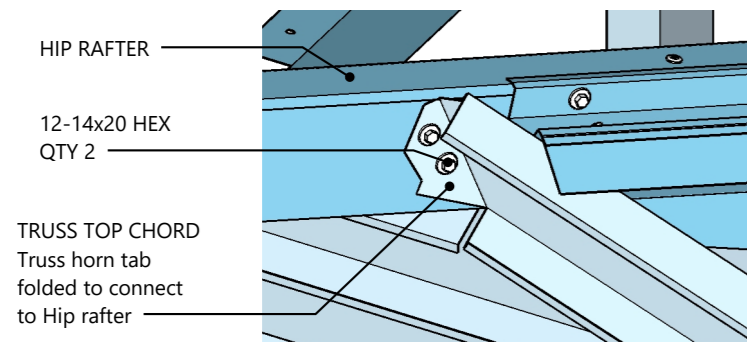
Crown rafter, reverse view



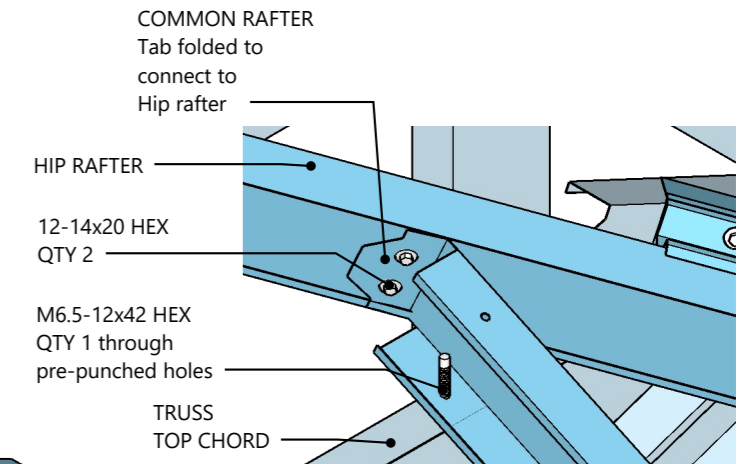
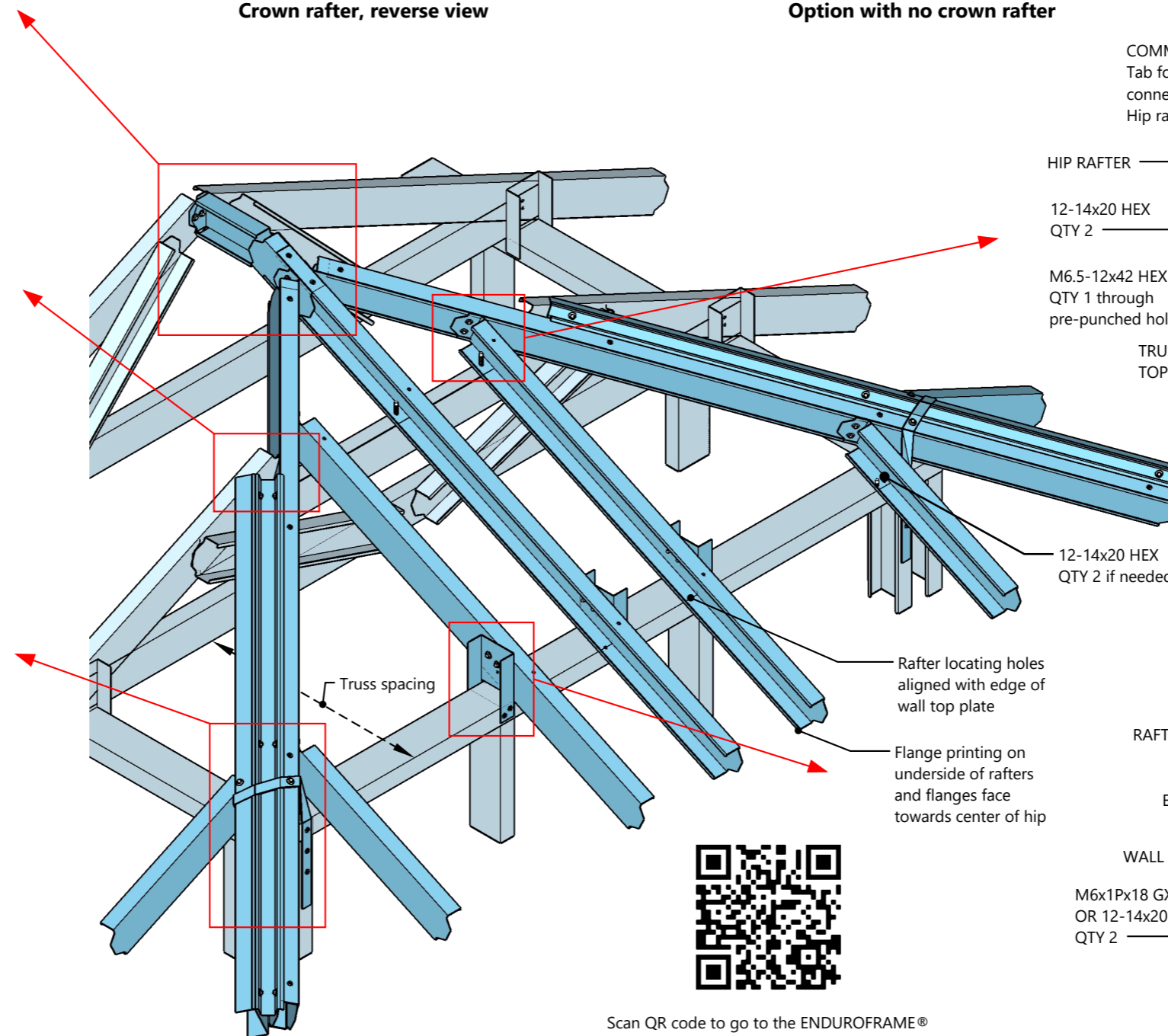
Option with no crown rafter



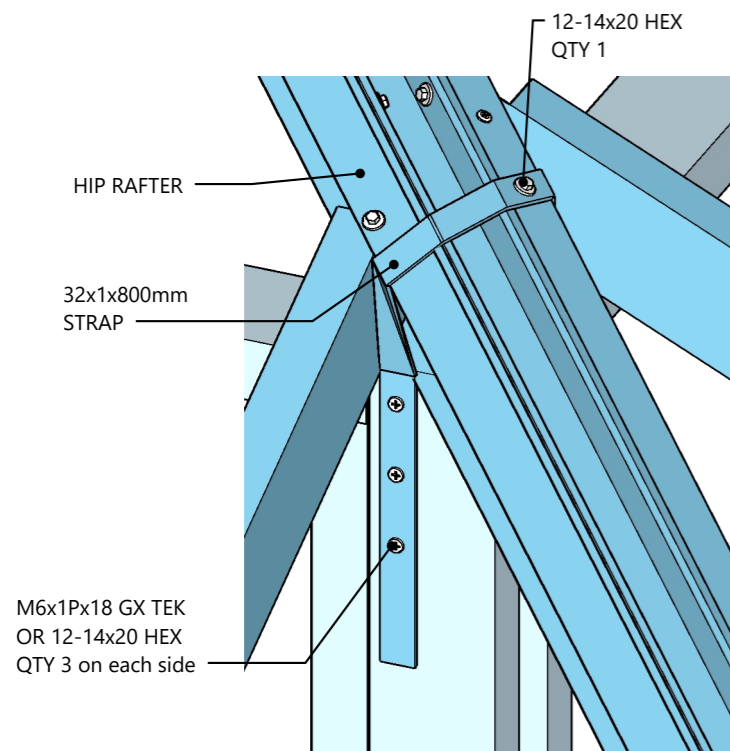
Fasteners



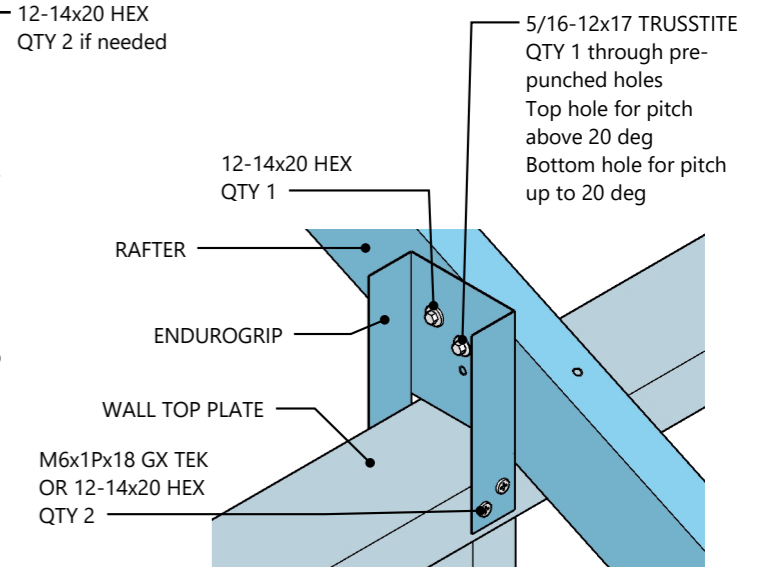
Truss horn to hip rafter connection



Common rafter detail



Hip rafter to wall tiedown



Rafter to wall tiedown



Scan QR code to go to the ENDUROFRAME® Installation Channel to see installation videos

REVISIONS		
DD/MM/YYYY	REMARKS	
1	15/06/2020	ENDUROCAD® software v11.01.02
2	13/07/2020	Added QR Code
3		
4		