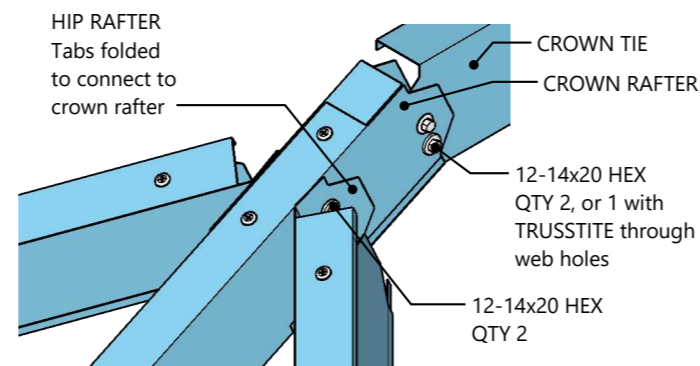
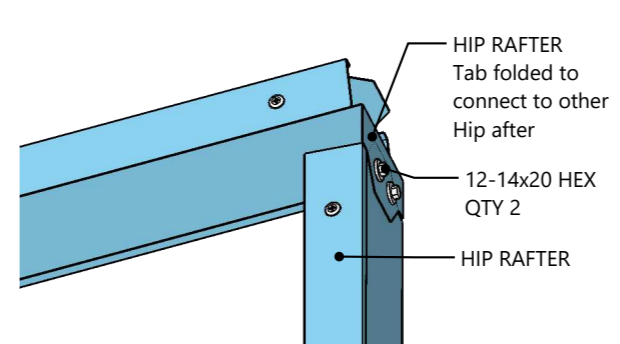


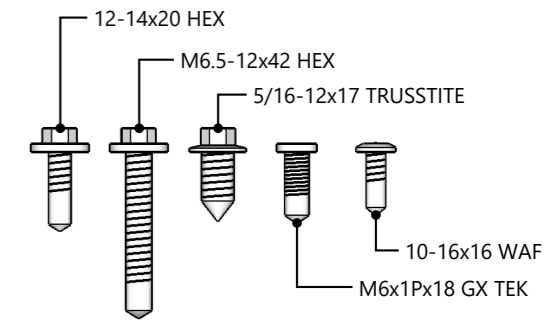
Crown rafter detail



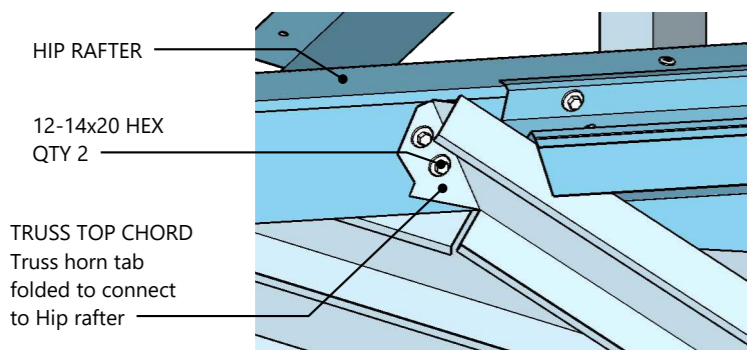
Crown rafter, reverse view



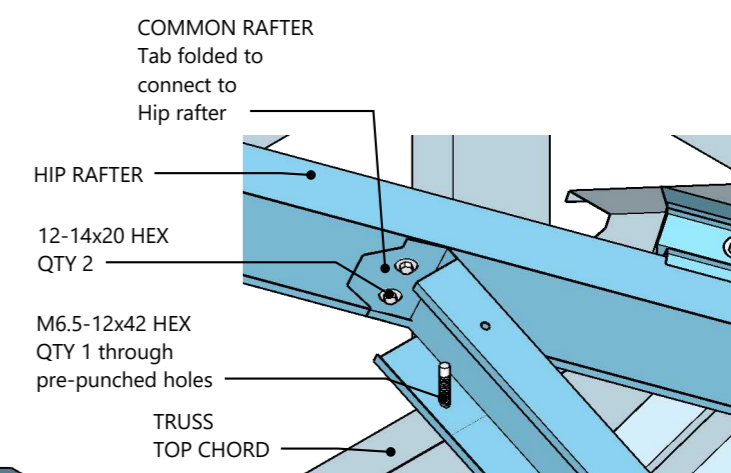
Option with no crown rafter



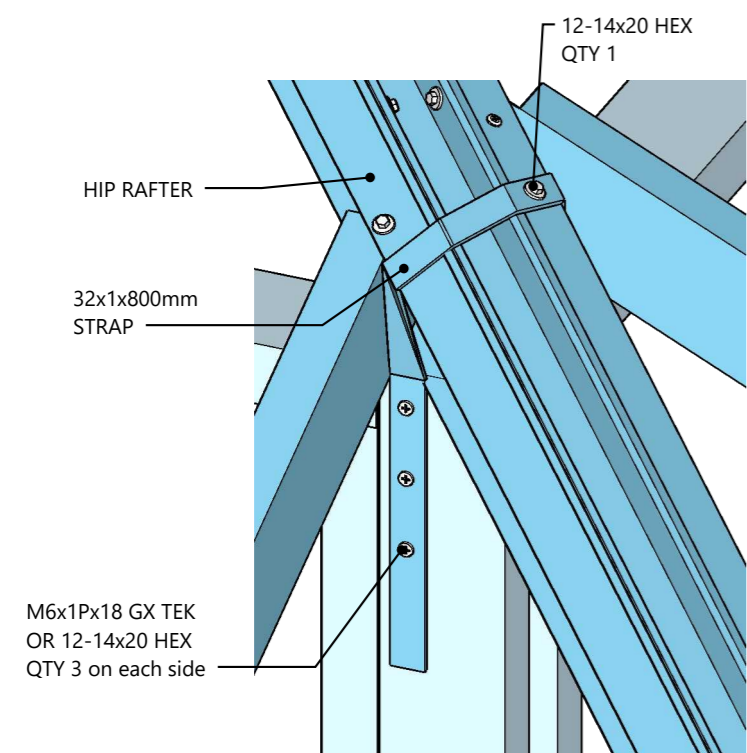
Fasteners



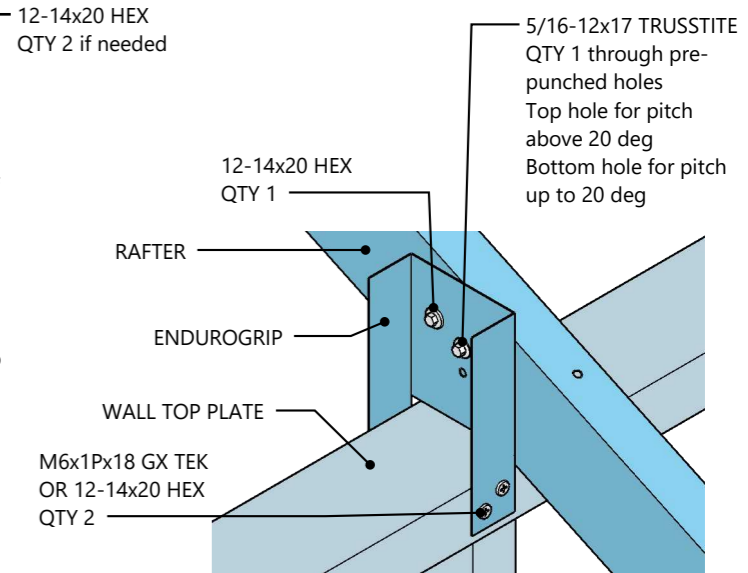
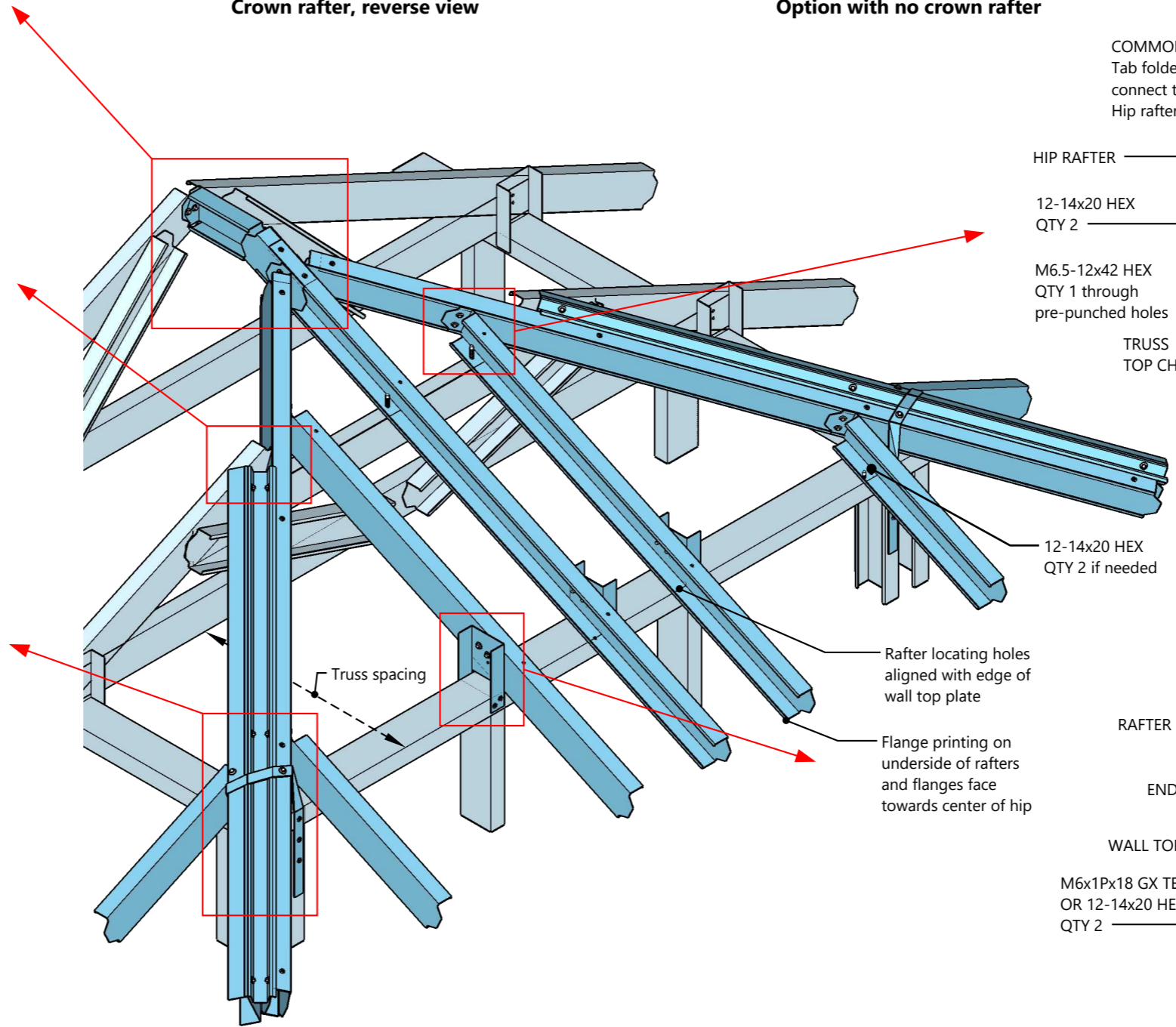
Truss horn to hip rafter connection



Common rafter detail



Hip rafter to wall tiedown



Rafter to wall tiedown

| REVISIONS | | |
|------------|------------|-------------------------------|
| DD/MM/YYYY | REMARKS | |
| 1 | 15/06/2020 | ENDUROCAD® software v11.01.02 |
| 2 | | |
| 3 | | |
| 4 | | |