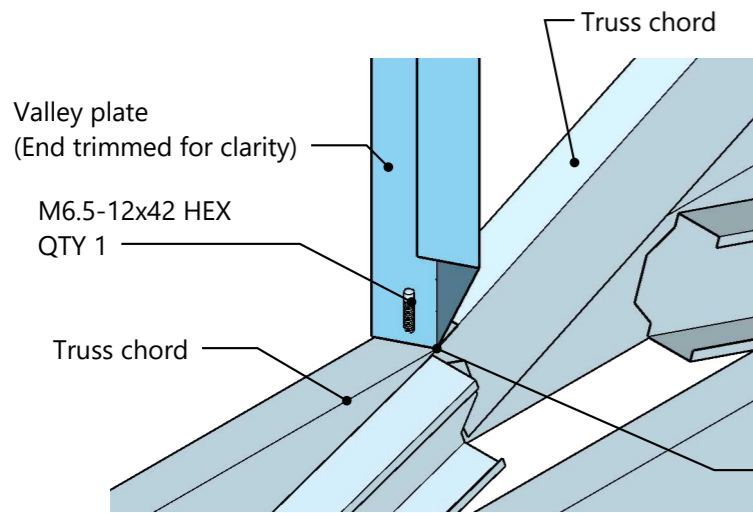
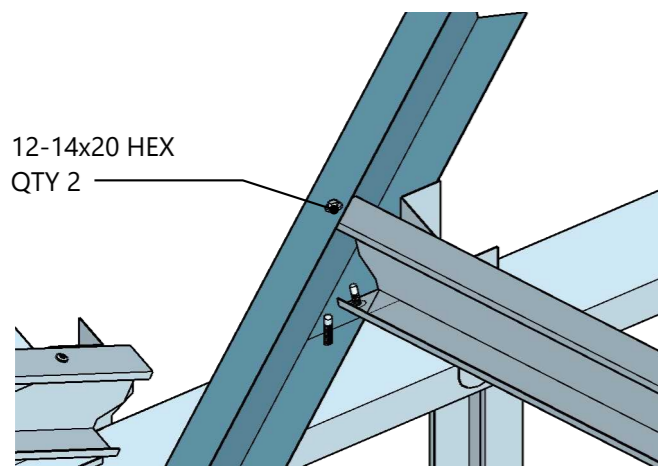


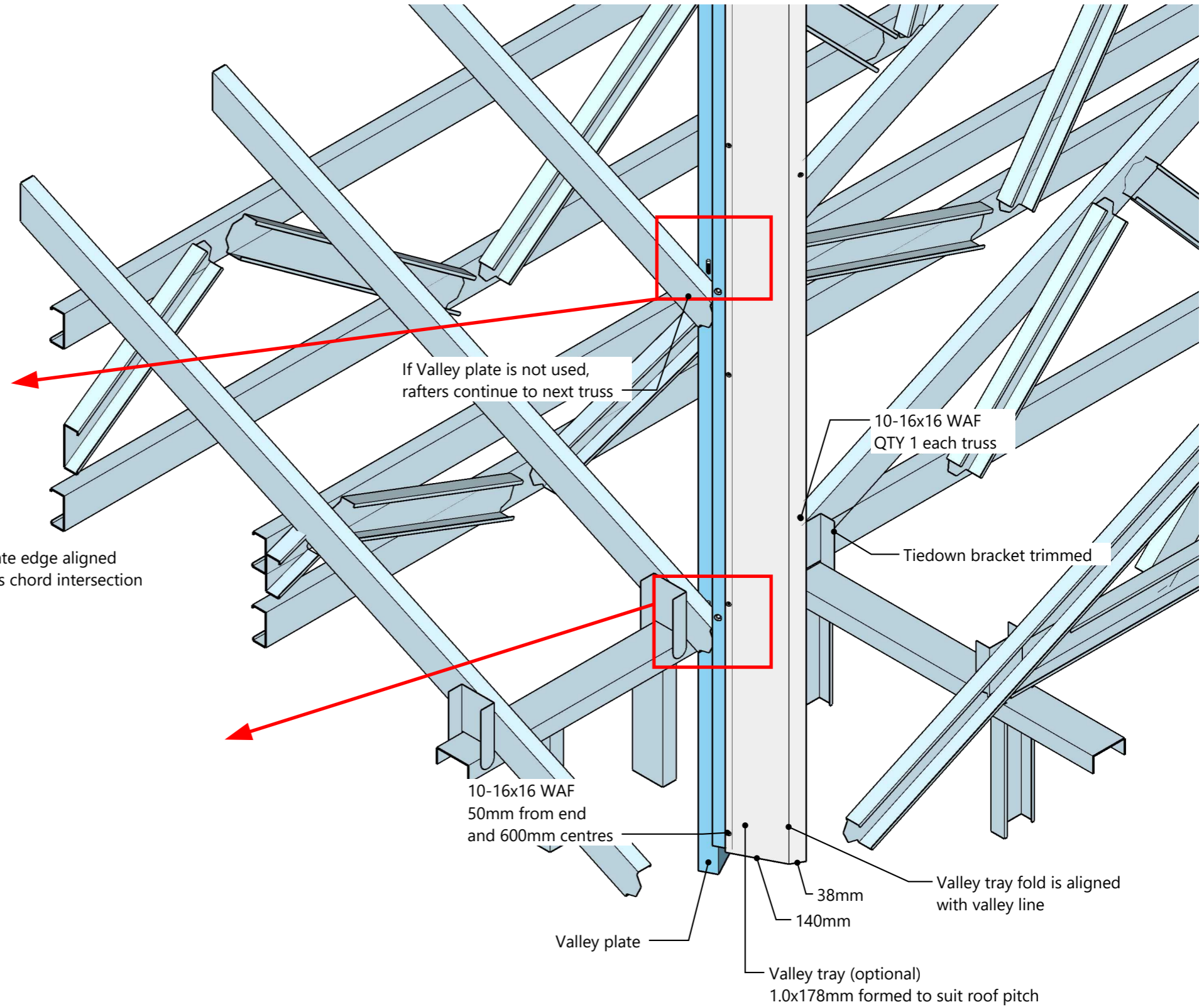
**Fasteners**



**Valley plate to Truss connection detail**  
(Valley tray not shown for clarity)



**Valley plate to Rafter connection detail**  
(Valley tray not shown for clarity)



REVISIONS		
DD/MM/YYYY	REMARKS	
1	12/06/2020	ENDUROCAD® software v11.01.02
2		
3		
4		