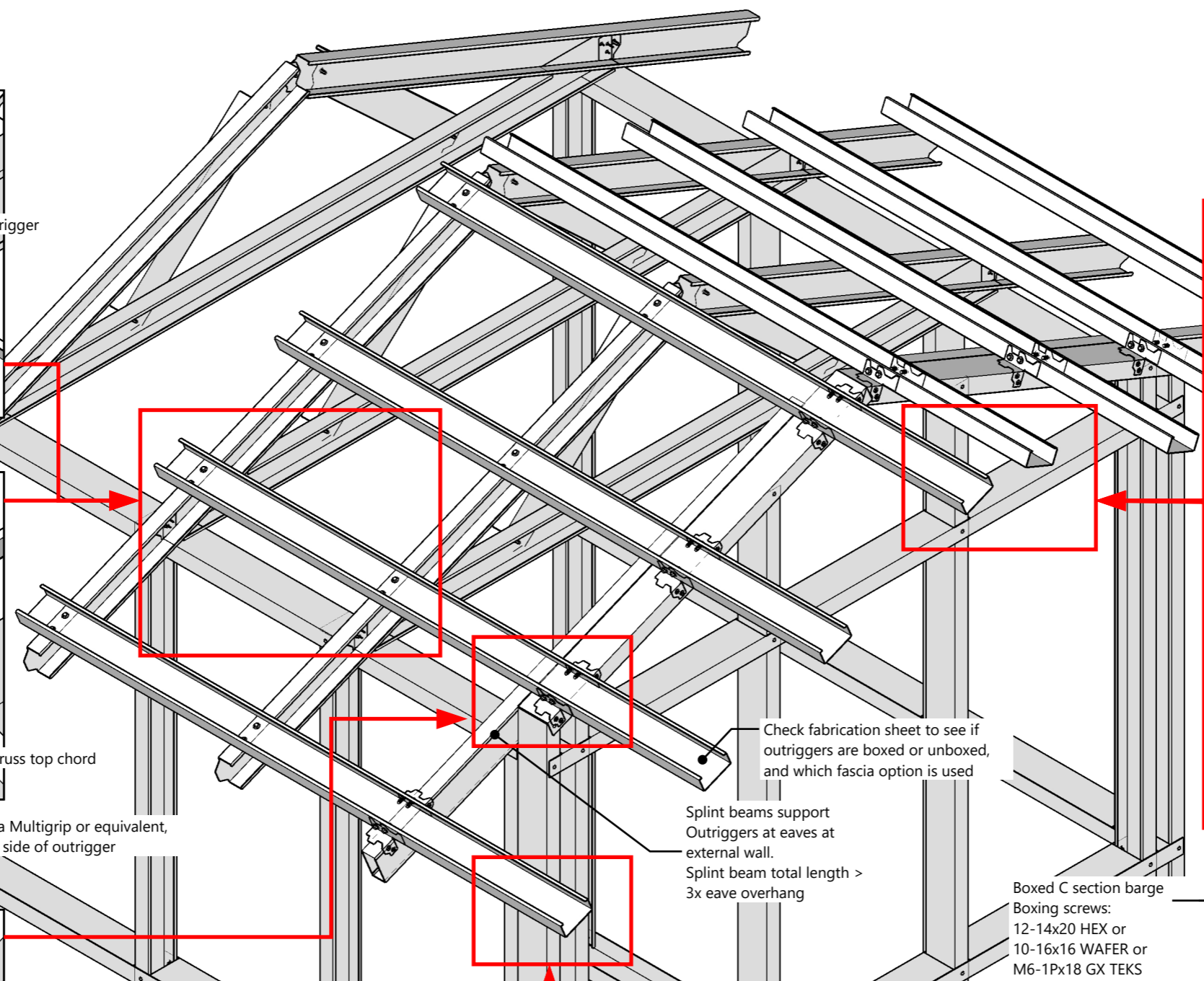
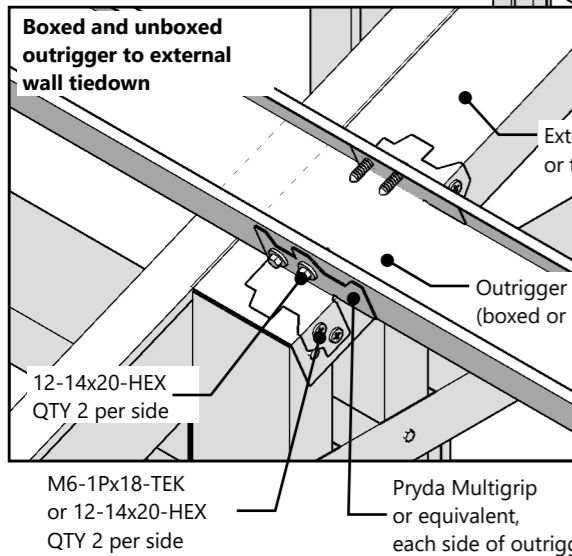
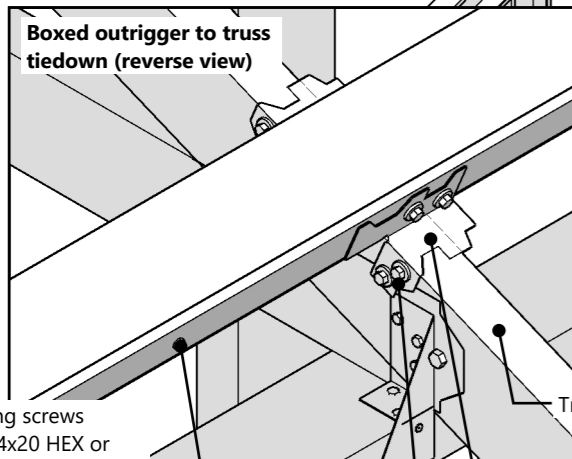
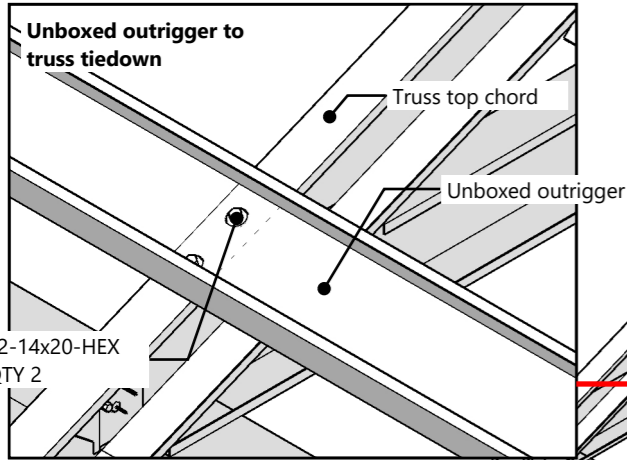
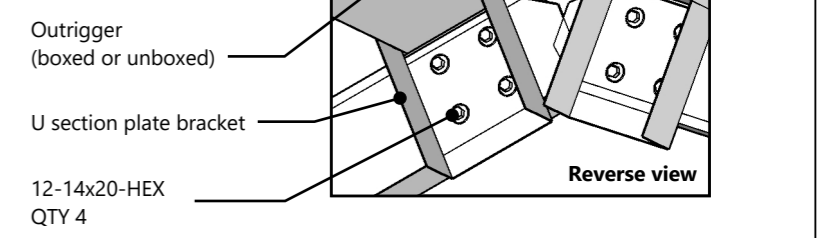
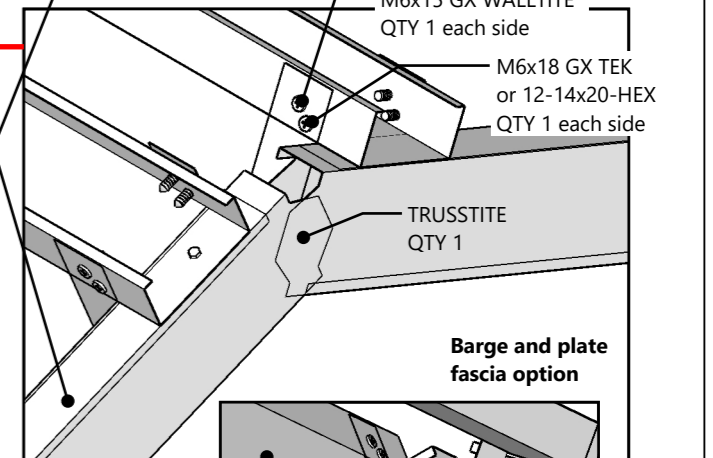
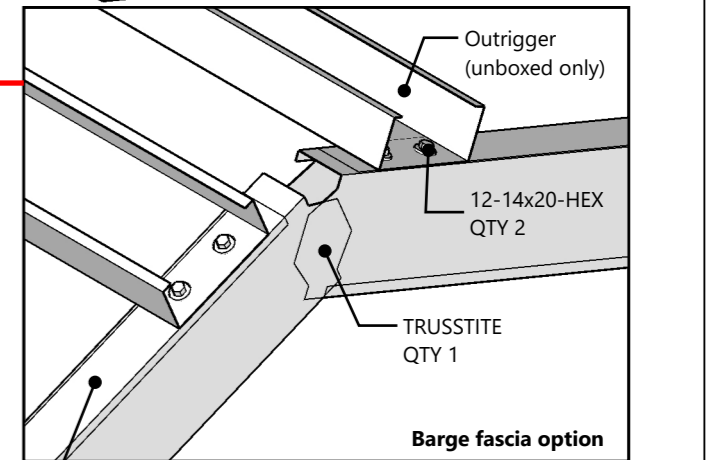
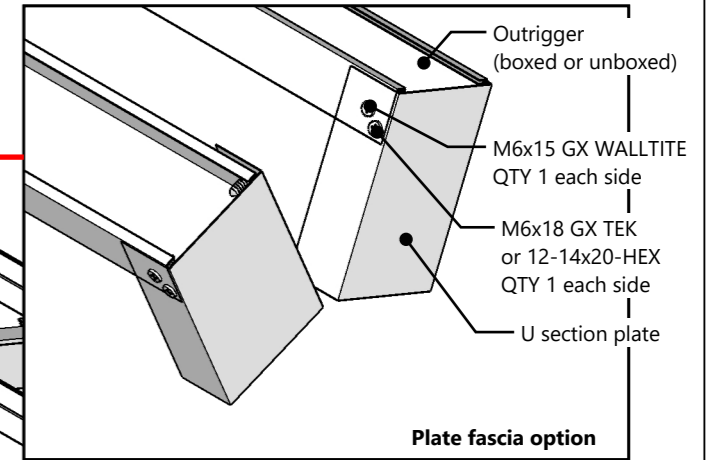


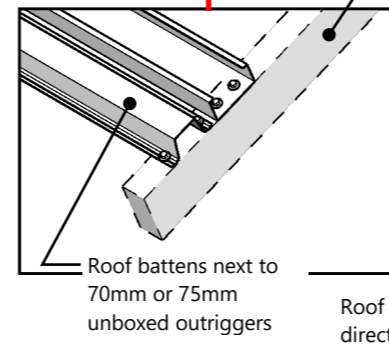
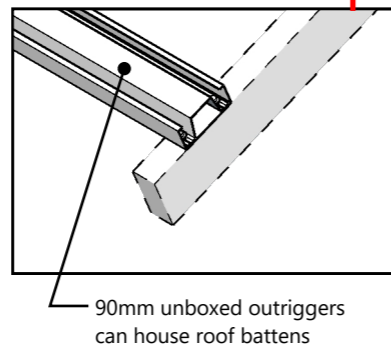
Outrigger tiedowns



Outrigger fascia options



Roof battens



IMPORTANT
Outriggers require a structural barge (or fascia) to spread point loads across multiple outriggers so that it can withstand the weight of somebody standing on the edge of the roof. If ENDUROFRAME® Building System components have not been supplied for the barge, a structural fascia must be connected to the ends of the outriggers.

Roof cladding can be connected directly to boxed outriggers

REVISIONS		
DD/MM/YYYY	REMARKS	
1	6/05/2020	First revision, ENDUROCADD® software v11.00.01
2		
3		
4		