

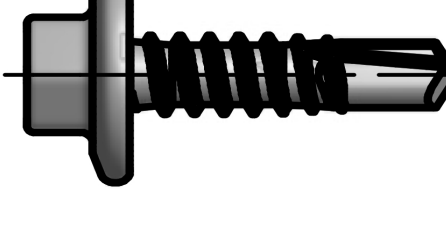


ENDURO FRAME®

FASTENERS

	Specification	Usage
	M6 x 15 GX Smooth Top Locating Wall Screw	Connecting studs to plates through dimpled holes
	M6 x 18 Gx Tek's Smooth Top Self-drilling reinforcing screw	Connecting lintels and strap bracing to frames
	12-14x10 self-drilling reinforcing screw	On-site installation

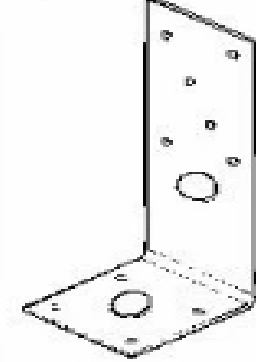
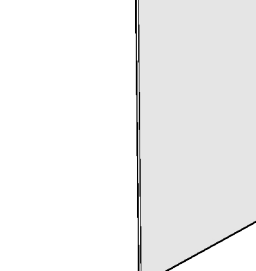
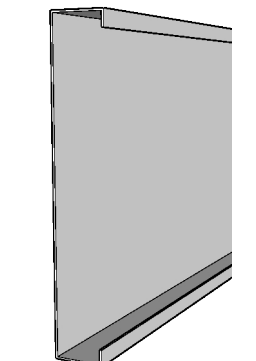
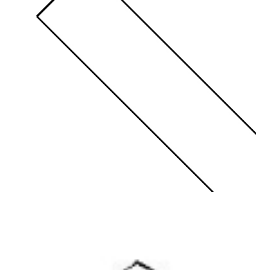
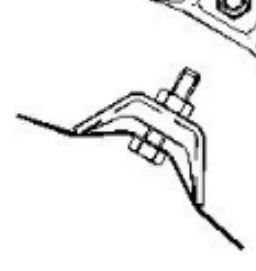

Refer to <https://enduroframe.atlassian.net/wiki/spaces/IM/pages/24510665/9.0+Fasteners+Accessories> for detailed specifications of fasteners

QUALITY CONTROL & SUPPLIERS OF COMPONENTS:
FOR ENDUROWALL REFER TO ENDUROWALL® PRODUCT INSPECTION SHEETS AVAILABLE ONLINE AT:

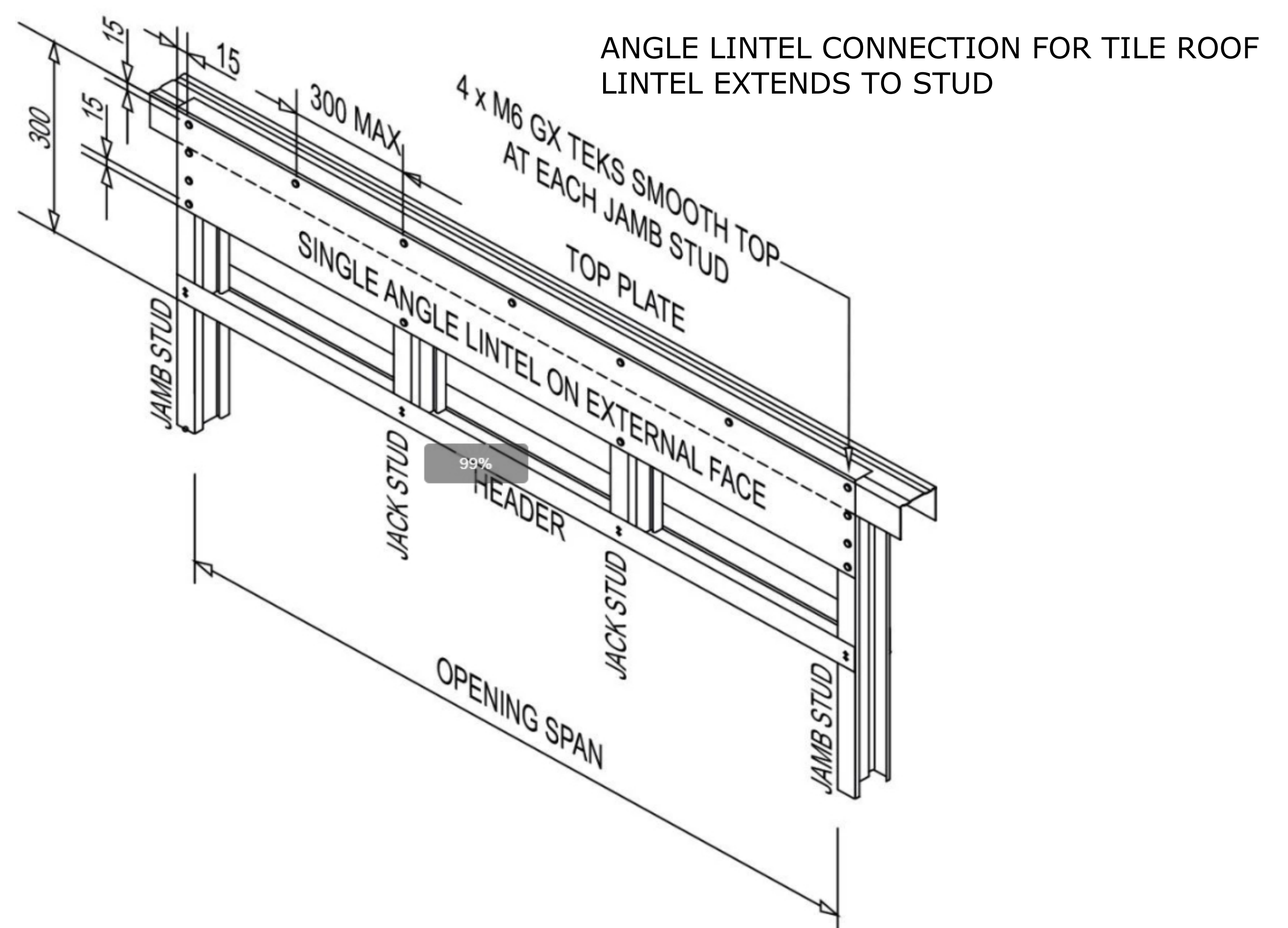
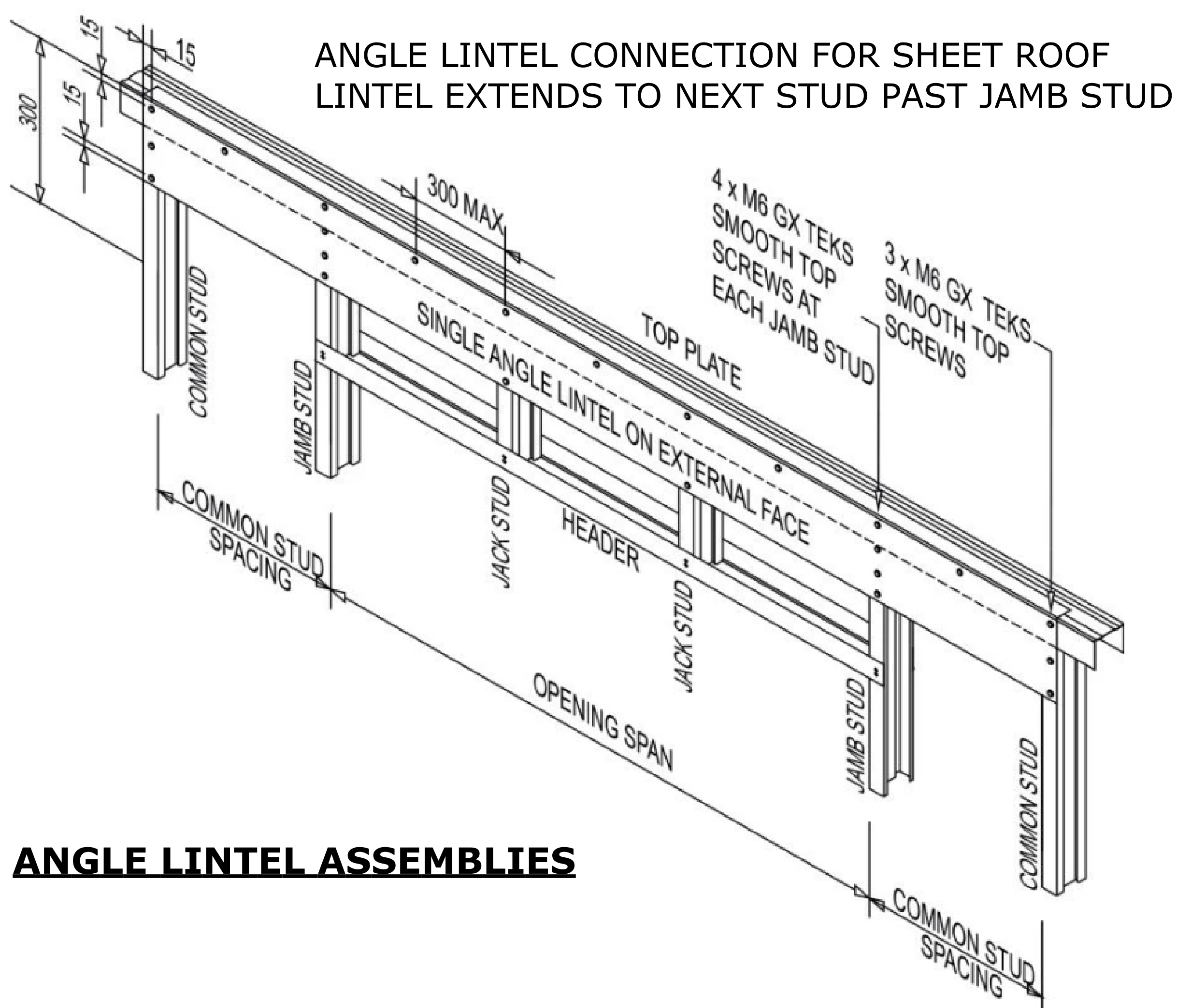
<https://enduroframe.atlassian.net/wiki/display/ER/Assembly>

NOTE:
DETAILED ACCESSORY AND FASTENER DETAILS INCLUDING SUPPLIER CONTACT INFORMATION IS AVAILABLE ONLINE IN THE ENDUROWALL® INSTALLATION MANUAL

ACCESSORIES

	Specification	Usage
	CPAH Hold down bracket	Tie down wall frames
	Angle Lintel - 200 x 35 x 1.5mm angle - 200 x 35 x 1.0mm angle	Stiffen openings
	C sections Sizes may vary from 75 - 300mm deep and 0.75mm - 3mm thick	Headers
	Strap bracing Sizes may vary from 25 - 70mm wide and 0.75mm - 1.5mm thick	Brace frames Tie down headers to jamb studs
	Bracing tensioners	Tighten strap bracing
	Square washers - 40 x 40 x 5mm - 50 x 50 x 3mm	Tie down frames

HEADER ASSEMBLY DETAILS



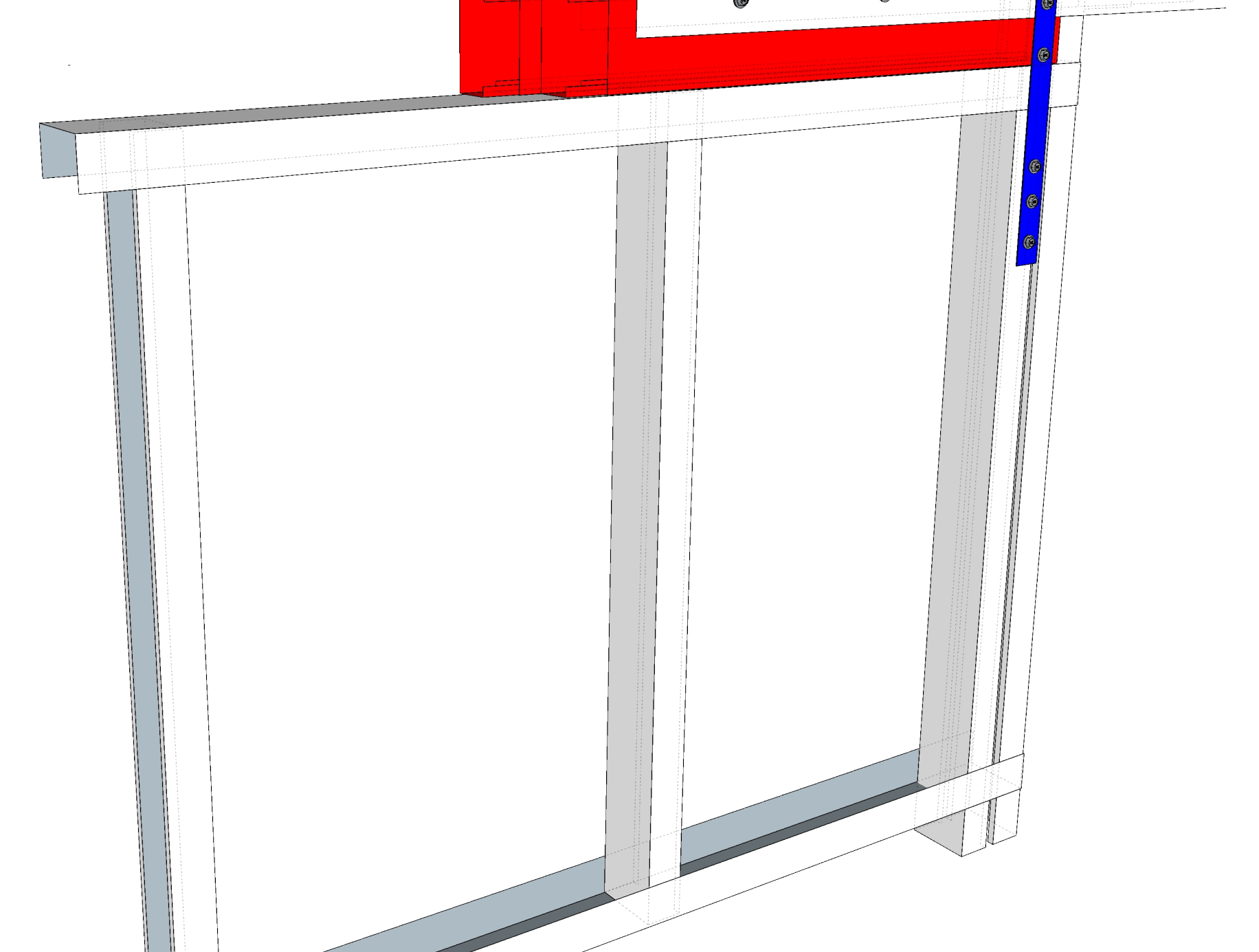
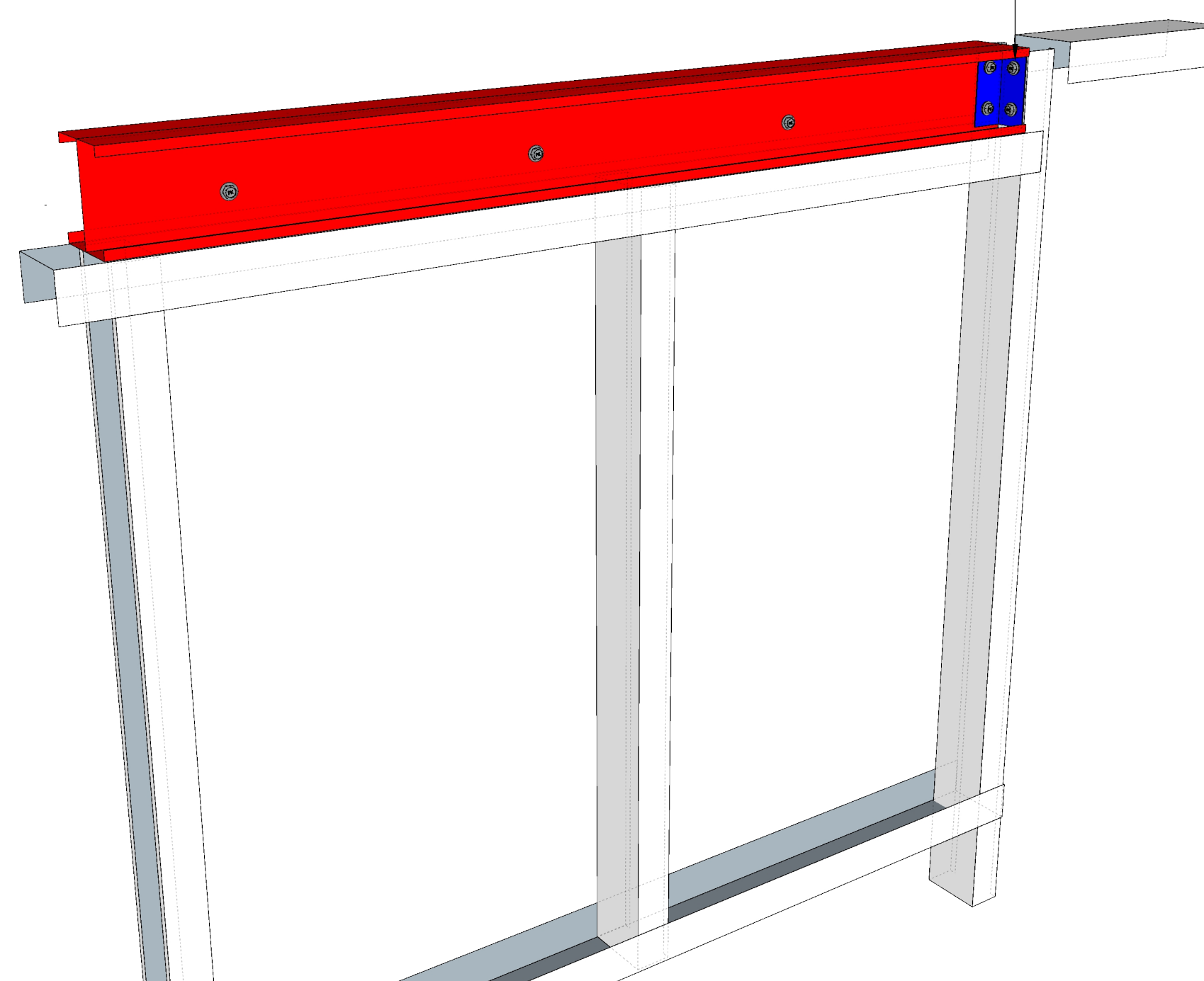
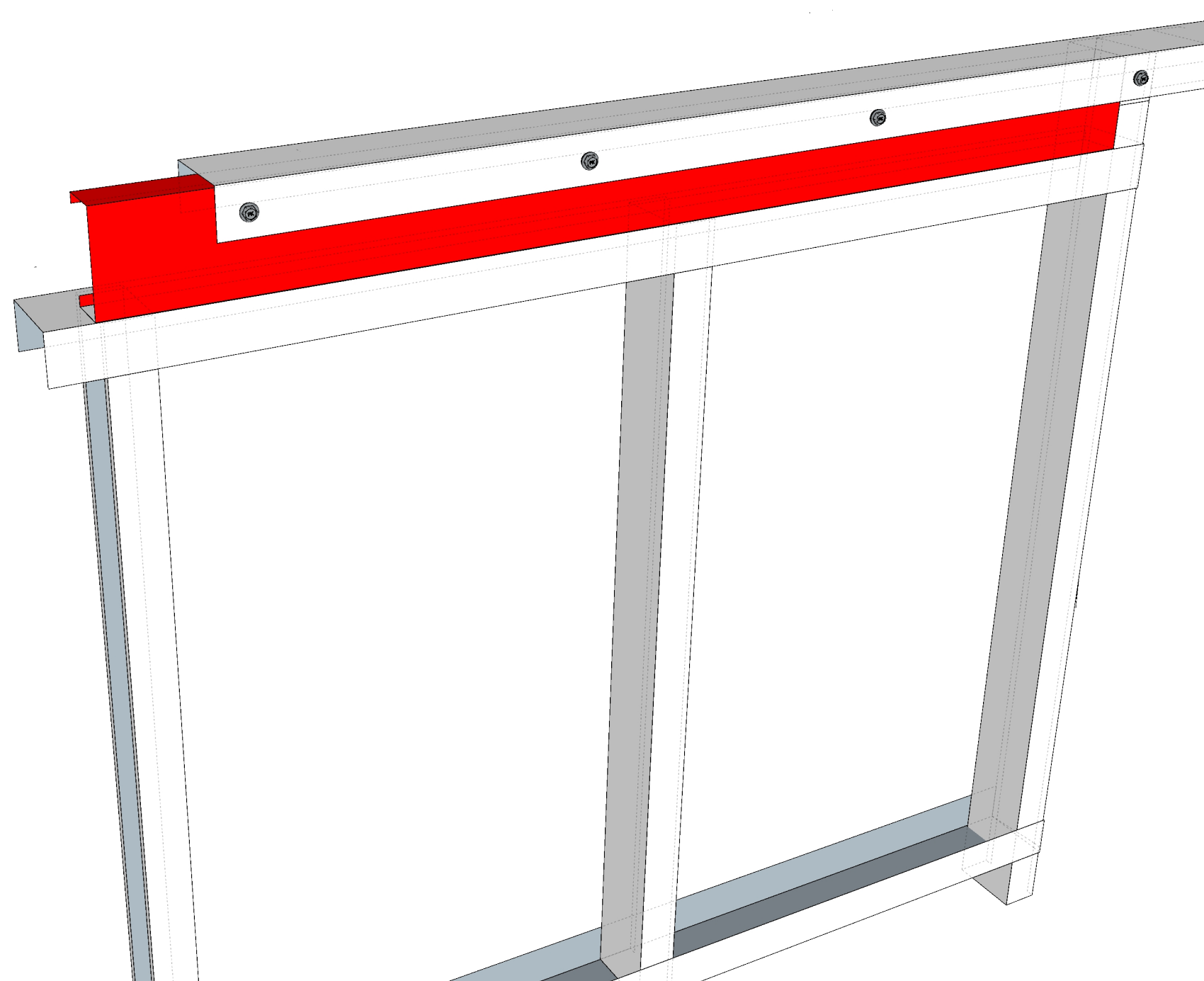
ANGLE LINTEL ASSEMBLIES

BEAM HEADER ASSEMBLIES

ALL HEADER SECTIONS CONNECTED TO TOP PLATE USING EITHER 12-14X20 HEX HEAD OR M6X18P FLAT HEAD FASTENERS FIXED 50MM FROM EACH END AND A MAXIMUM OF 300MM OC

37 X 37X1MM ANGLE WITH 2 X 12-14X20 HEX HEAD FASTENERS FIXED TO EACH LEG

HEADERS TIED DOWN WITH NOMINATED TIE DOWN STRAPS
- 2 X 12-14X20 HEX HEAD INTO HEADER AND 3 INTO JAMB STUD FOR 30MM STRAP
- 4 X 12-14X20 HEX HEAD INTO HEADER AND 6 INTO JAMB STUD FOR 50MM STRAP



TO VIEW A VIDEO ON HOW TO ASSEMBLE ENDUROTRUSS® AND ENDUROWALL® FRAMES, GO TO:

https://www.enduroframe.com.au/building/assembly_and_installation_videos

OR SCAN THE QR CODE TO THE RIGHT

FILENAME: ENDUROWALL INSTALLATION REFERENCE CHART REV:A



TO VIEW THE ENDUROWALL® INSTALLATION MANUAL, GO TO:

<https://enduroframe.atlassian.net/wiki/spaces/IM/overview>

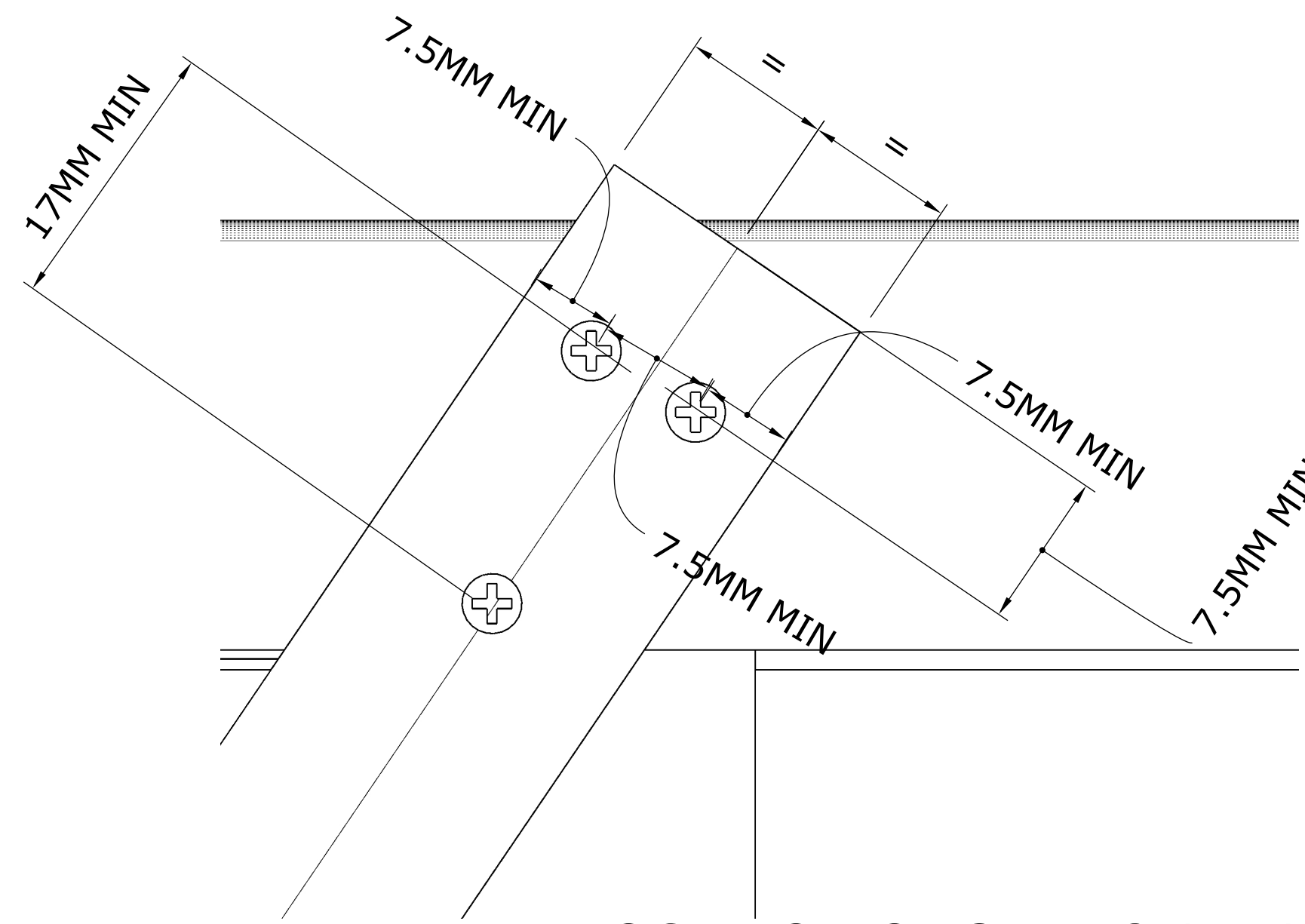
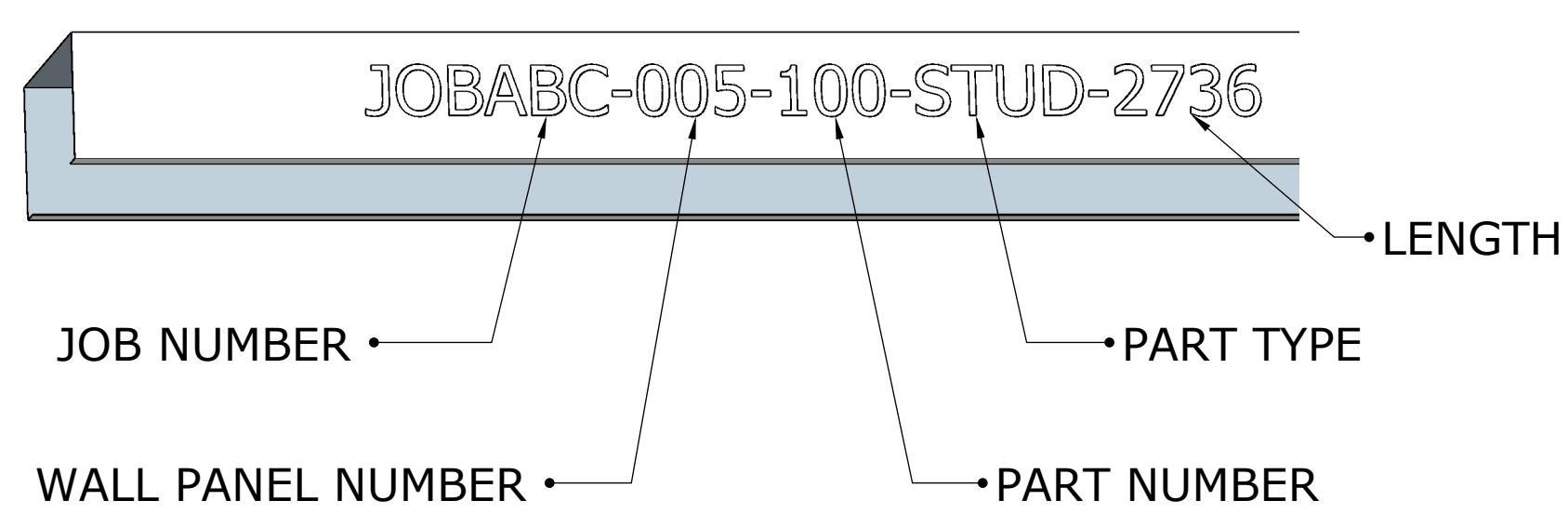
OR SCAN THE QR CODE TO THE RIGHT

© BLUESCOPE STEEL LTD

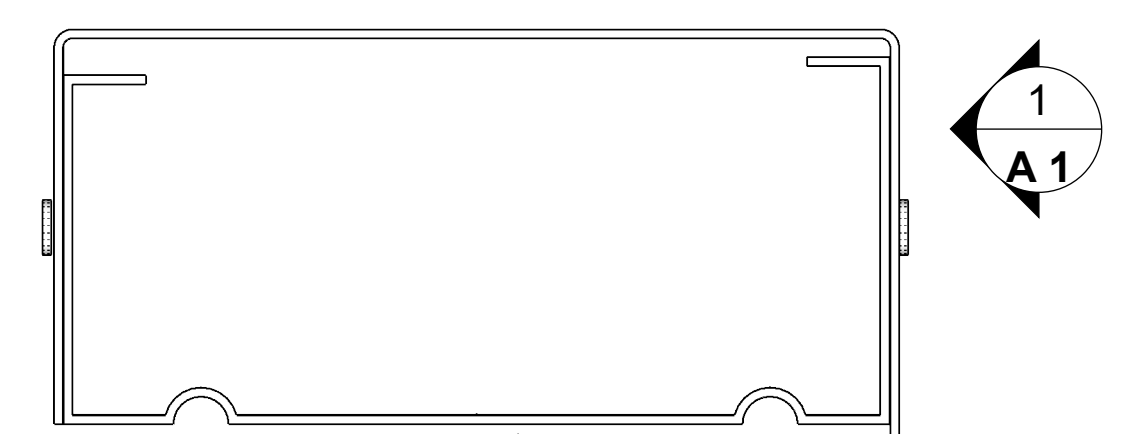


ENDURO FRAME®

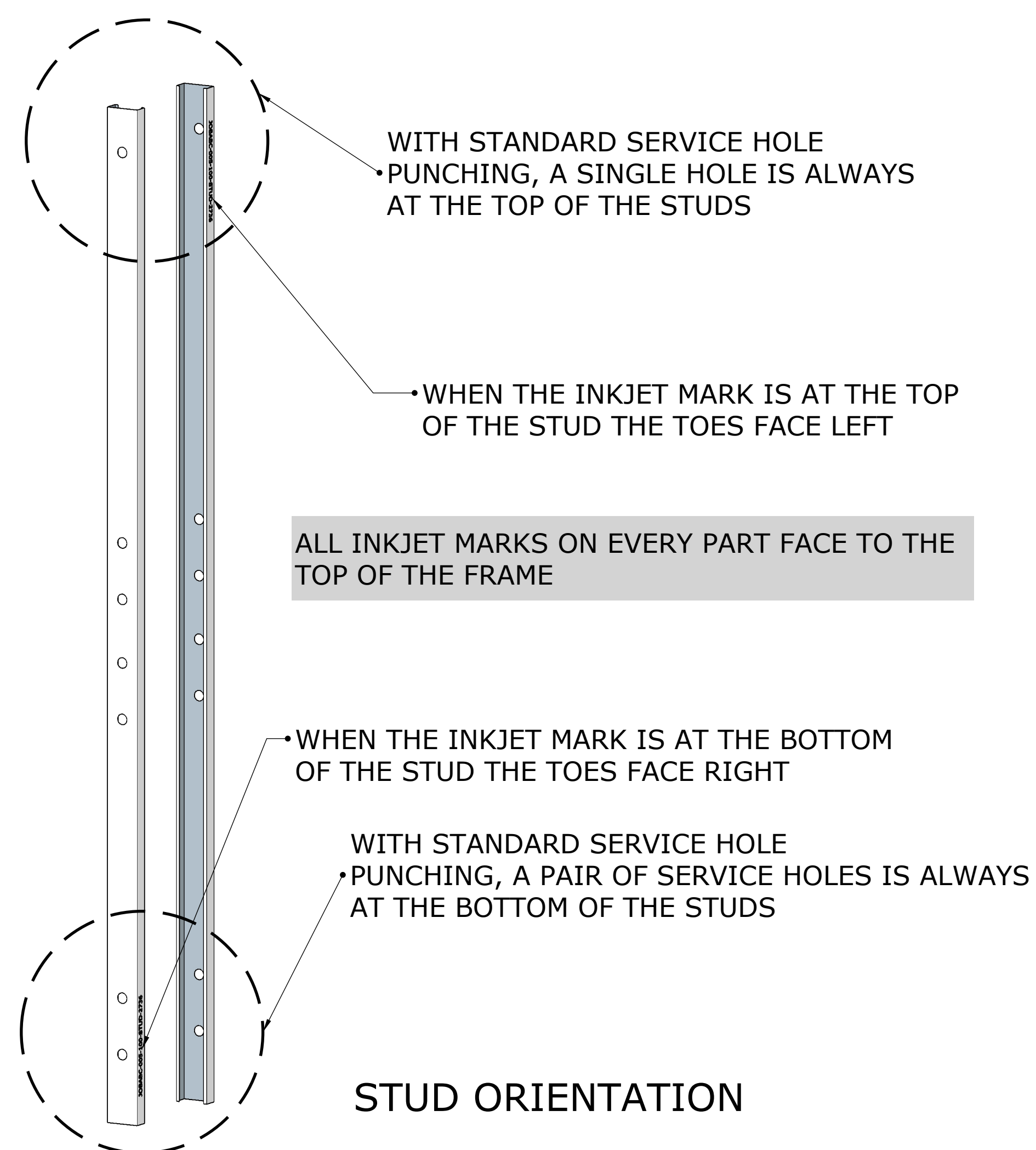
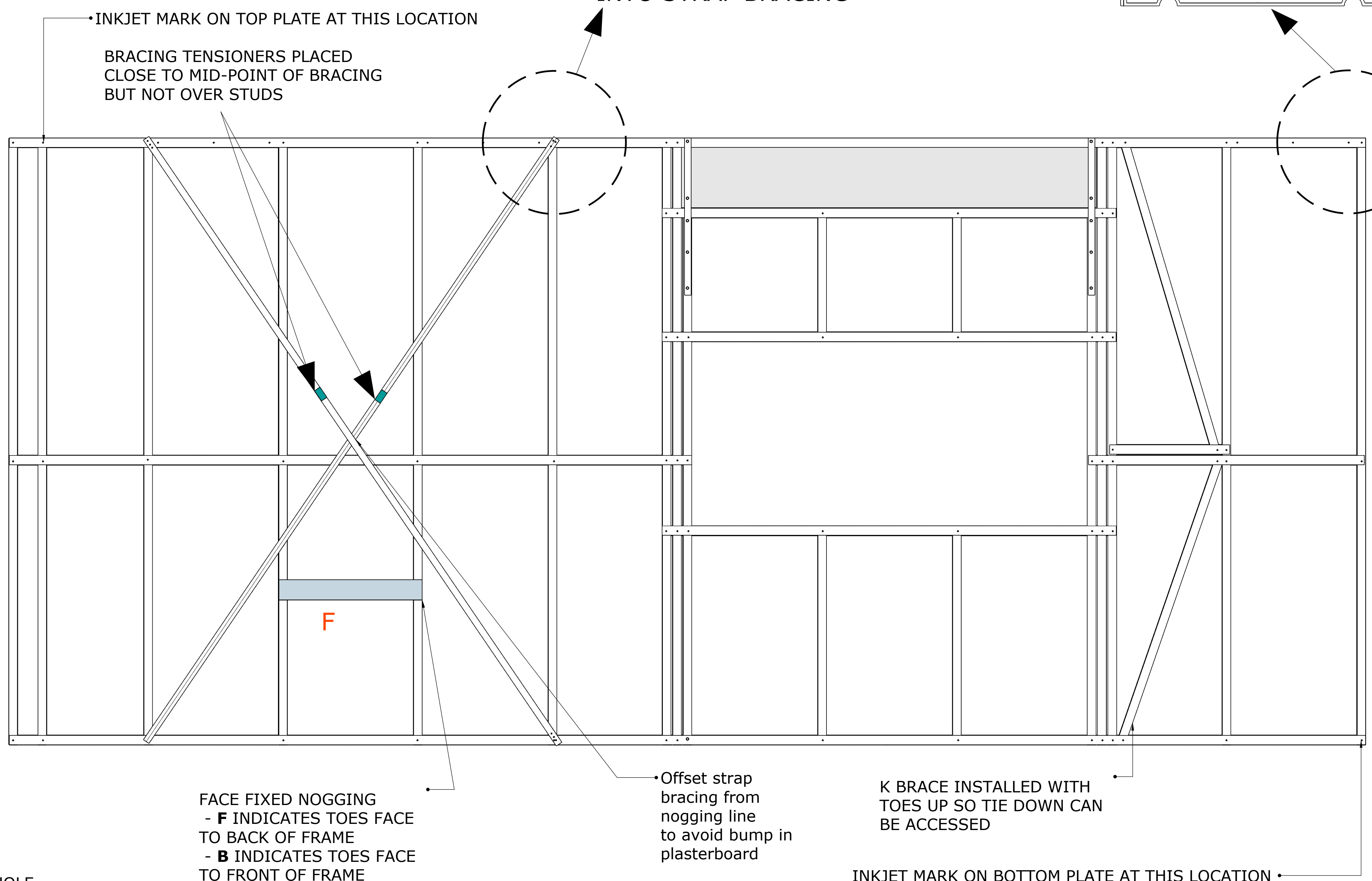
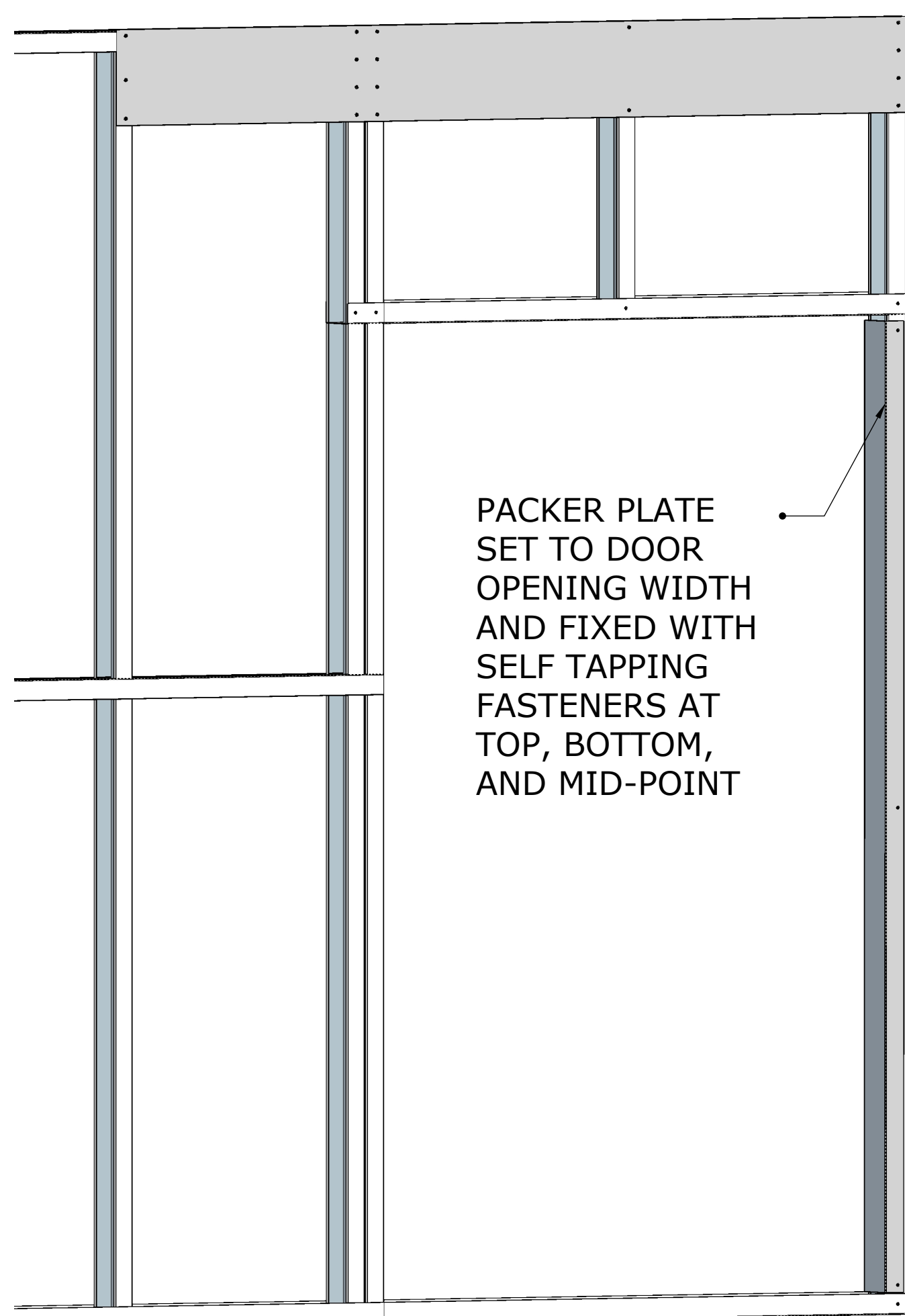
PART MARKING



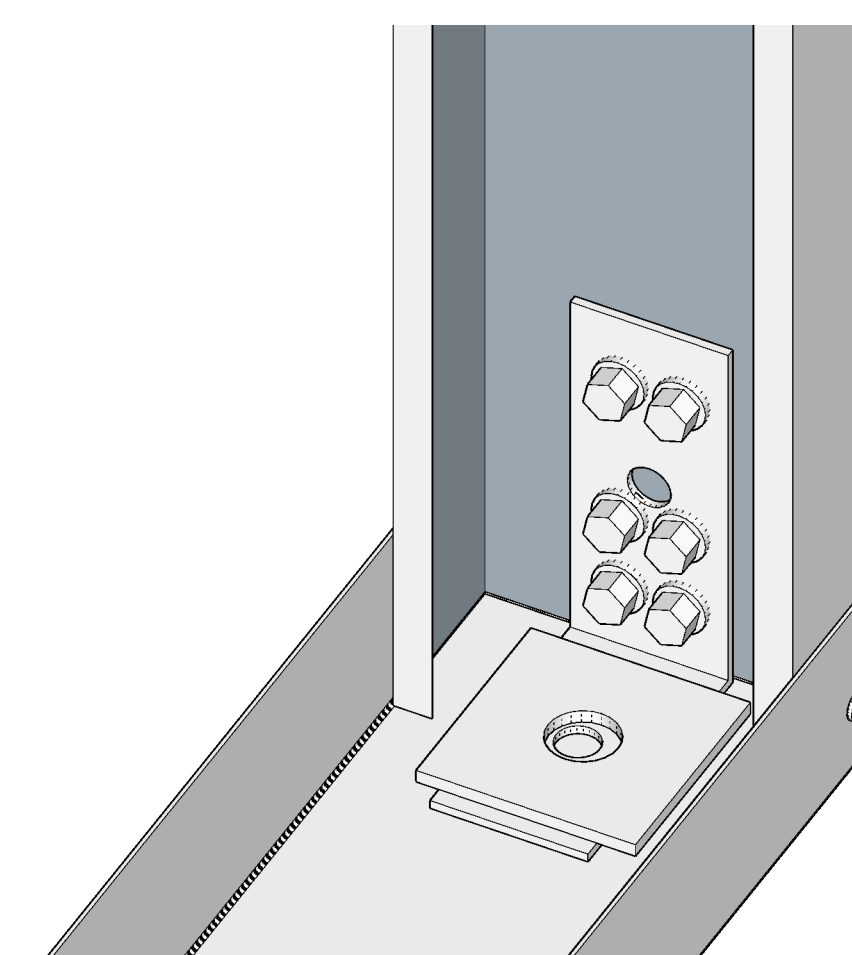
STIFFENING TOP PLATE - STIFFENER INSERTED TOES UP



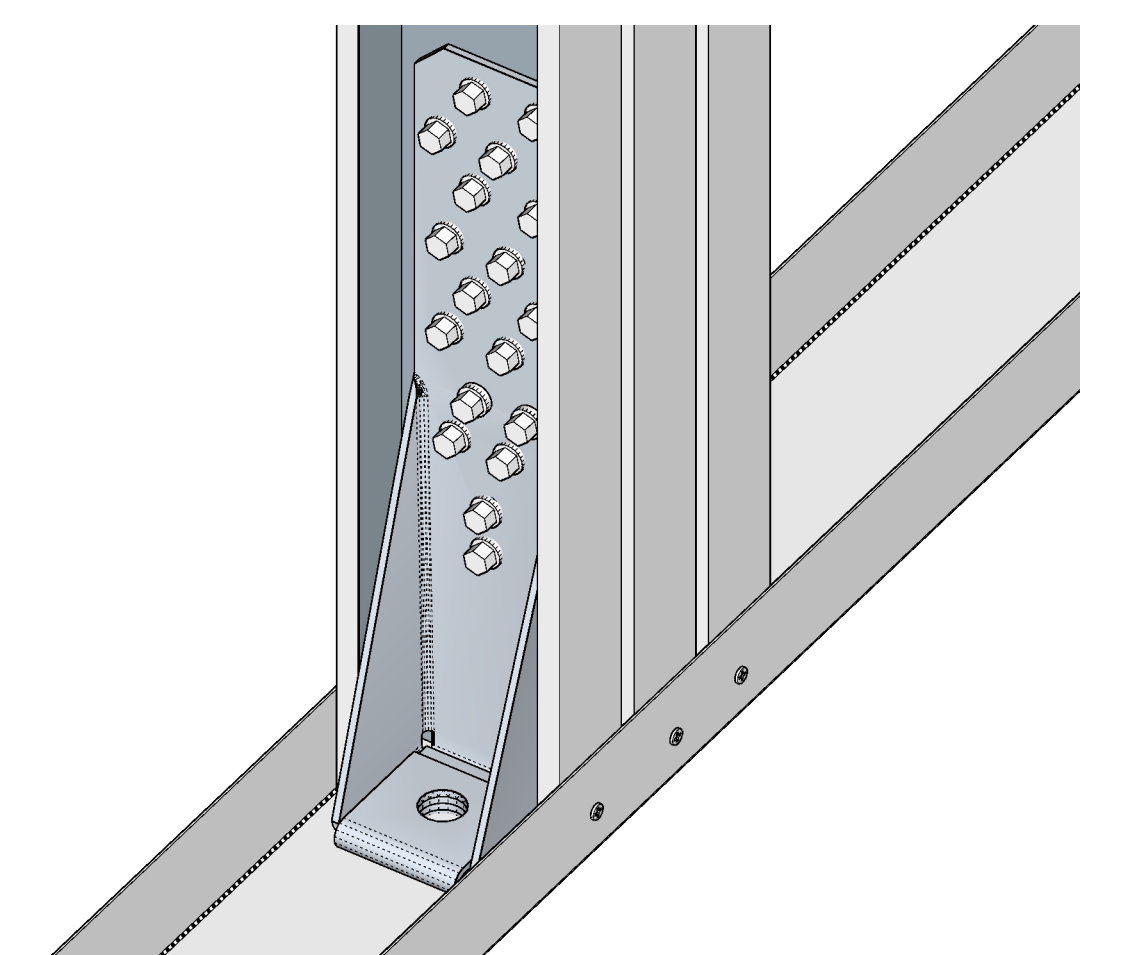
STUD PACKER FIXING DETAIL



TIE DOWN BRACKET ASSEMBLIES



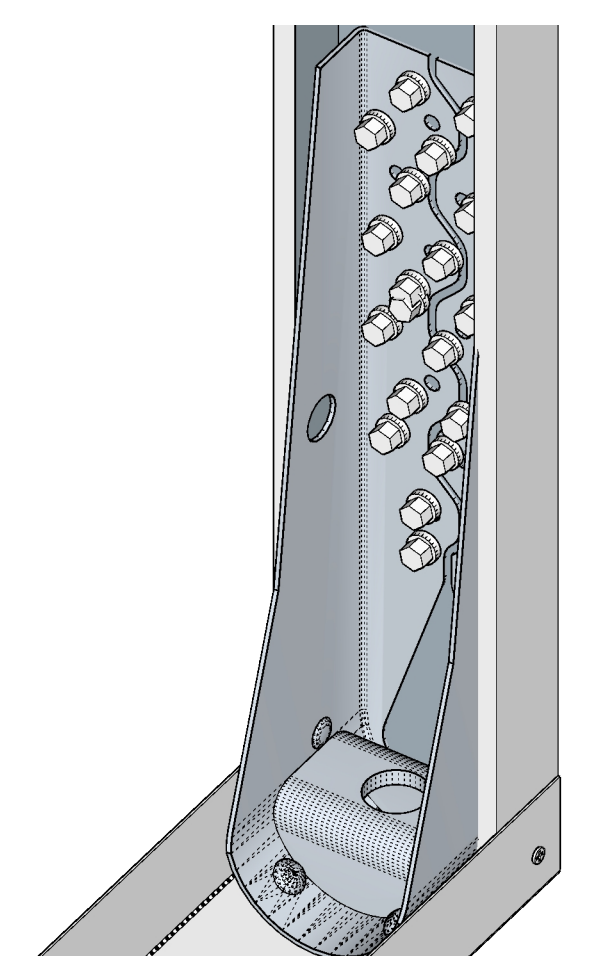
CPAH BRACKET WITH 6 X 12-14X20 HEX HEAD FASTENERS



HTT4/5 BRACKET WITH 18 X 12-14X20 HEX HEAD FASTENERS



BEND BENT TAB WITH DUCKBILL PLIERS BEFORE FITTING IN FRAME



HDU BRACKET WITH 18 X 12-14X20 HEX HEAD FASTENERS

NOTE:
ALL EXTERNAL WALLS SHOULD HAVE AN IMPERMEABLE MEMBRANE INSTALLED ON THE UNDERSIDE OF THE BOTTOM PLATE AND EXTEND UP THE OUTSIDE FACE. REFER TO TB-34 FOR SUITABLE IMPERMEABLE MEMBRANES. CLEAN ALL SWARF OUT OF BOTTOM PLATE OF FRAMES.

TO VIEW A VIDEO ON HOW TO ASSEMBLE ENDUROTRUSS® AND ENDUROWALL® FRAMES, GO TO:

https://www.enduroframe.com.au/building/assembly_and_installation_videos

OR SCAN THE QR CODE TO THE RIGHT

FILENAME: ENDUROWALL INSTALLATION REFERENCE CHART REV:A



TO VIEW THE ENDUROWALL® INSTALLATION MANUAL, GO TO:

<https://enduroframe.atlassian.net/wiki/spaces/IM/overview>

OR SCAN THE QR CODE TO THE RIGHT

© BLUESCOPE STEEL LTD

